



AFTERMARKET

PERFORMANCE



PERFORMANCE PRODUCTS for the JEEP® WRANGLER JK, JL and the GLADIATOR JT from DANA AFTERMARKET



TRUSTED PRODUCTS FOR JEEP® FOR MORE THAN 75 YEARS



JEEP® WRANGLER JL AXLE IDENTIFIER

Trim	Engine	Front Diff	Rear Diff	Front Axle	Rear Axle
Sport/Sahara	3.6L V6 and 2.0L Turbo	Open	Open	Dana 30™	Dana 35™ AdvanTEK®
Sport/Sahara	3.6L V6 and 2.0L Turbo	Open	Trac-Lok™ LSD	Dana 30™	Dana 44™ AdvanTEK®
Sport/Sahara	3.0L Diesel	Open	Trac-Lok™ LSD	Dana 44™ AdvanTEK®	Dana 44™ AdvanTEK®
Rubicon	3.6L V6/3.0L Diesel	ELD	ELD	Dana 44™ AdvanTEK®	Dana 44™ AdvanTEK®

JEEP® WRANGLER JK AXLE IDENTIFIER

Trim	Engine	Front Diff	Rear Diff	Front Axle	Rear Axle
Sport/Sahara	3.6L	Open	Open	Dana 30™	Dana 44™
Sport/Sahara	3.6L	Open	Trac-Lok™ LSD	Dana 30™	Dana 44™
Rubicon	3.6L	ELD	ELD	Dana 44™	Dana 44™

JEEP® GLADIATOR JT AXLE IDENTIFIER

Trim	Engine	Front Diff	Rear Diff	Front Axle	Rear Axle
Sport/Sport S	3.6L	Open	Open/Optional Trac-Lok™	Dana 44™ AdvanTEK®	Dana 44™ AdvanTEK®
Overland	3.6L	Open	Open/Optional Trac-Lok™	Dana 44™ AdvanTEK®	Dana 44™ AdvanTEK®
Rubicon	3.6L	ELD	ELD	Dana 44™ AdvanTEK®	Dana 44™ AdvanTEK®

TABLE of CONTENTS

- Aftermarket Drivetrain Products for the Jeep® Gladiator JT 4-5
- The Ultimate Dana 60® Axles for the JT 6-7
- The Ultimate Dana 44™ Axles for the JT 8-9
- The Ultimate Dana 60® Axles for the JL 10-11
- The Ultimate Dana 44™ AdvanTEK® Axles for the JL 12-13
- The Ultimate Dana 60® Axles for the JK 14-15
- The Ultimate Dana 44™ Axles for the JK 16-17
- Spicer® Driveshafts for the JK, JL and Gladiator JT 18
- Spicer® Nickel Chromoly Axle Shafts for JK, JL and Gladiator JT 21
- Spicer® Ring & Pinion Gearing for the JK 22
- Spicer® AdvanTEK® Ring & Pinion for the JL and Gladiator JT 25
- Spicer® U-Joints for the Wrangler and Gladiator 26
- Spicer® Ultra-Premium Synthetic Grease 26
- Spicer® Performance Adjustable Shocks for the JK 28
- Spicer® Inner Gear Kits for the JK, JL and Gladiator JT 29
- Dana 60™ 35 Spline Drive Flange Kit for the JK and JL 29
- Spicer® Differential Covers for the JK, JL and Gladiator JT 30
- Spicer® Performance Differential Gaskets for the JK 31
- Spicer® Diff Carrier Cases for the JK, JL and Gladiator JT 31
- Spicer® Front and Rear Axle Shafts for the JK and JL 32
- Spicer® E-Locker Solenoid for the JK 33
- Spicer® Bearing Kits for the JK and JL 33
- AdvanTEK® Axle Upgrade Packages for Gladiator JT 34
- Spicer® Ring & Pinion Upgrade Bundles for Gladiator JT 35
- AdvanTEK® Axle Upgrade Packages for the JL 36
- Spicer® Dana 44™ AdvanTEK® Ring & Pinion Upgrade Bundles - JL 37
- The Ultimate Dana 44™ Axle Upgrade Packages - Rubicon JK 38
- The Ultimate Dana 44™ Axle Upgrade Packages - Non-Rubicon JK 39
- Spicer® AdvanTEK® Ring & Pinion Upgrade Bundles - JL 40-41
- Spicer® Ring & Pinion Upgrade Bundles - Rubicon JK 42
- Spicer® Ring & Pinion Upgrade Bundles - Non-Rubicon JK 43
- Misc. Spicer® Axle Components for the JL 44
- Misc. Spicer® Axle Components for the JK 45
- The Dana-Jeep Story 46

Aftermarket Drivetrain Products for the Jeep® Gladiator JT

Customization and modification are enduring elements of the Jeep lifestyle, and Dana offers aftermarket options to guarantee that this tradition remains strong with the Jeep Gladiator JT. Get a genuine OE factory-grade fit with Dana axles and Spicer parts, whether you're enhancing your new JT for extreme off-roading, or performing repairs that are also an upgrade.

Spicer® Blue-Coated Performance U-Joints

Spicer U-Joint Part #	Blue U-Joint Equivalent
5-7166X	SPL30-7166XC
5-1350X	SPL30-1350XC

Spicer® Performance Nodular Iron Diff Covers

Application Summary	Axle Model	Position	Description	Spicer Part #
2020 Gladiator JT	Dana 44™ AdvanTEK®	Front	Gray Nodular Iron (with hardware)	10044799
2020 Gladiator JT	Dana 44™ AdvanTEK®	Front	Blue Nodular Iron (with hardware)	10053466
2020 Gladiator JT	Dana 44™ AdvanTEK®	Rear	Gray Nodular Iron (with hardware)	10040651
2020 Gladiator JT	Dana 44™ AdvanTEK®	Rear	Blue Nodular Iron (with hardware)	10053468

Spicer® Driveshafts

HEAVY DUTY UPGRADE - 1310 SERIES DRIVESHAFT

Application	Position	Spicer Part #
Jeep Gladiator JT	Front	10020345

HEAVY DUTY UPGRADE - 1350 SERIES DRIVESHAFT

Application	Position	Spicer Part #
Jeep Gladiator JT with Dana 44™ AdvanTEK® Front Axle	Front	10097840

SPICER®

AdvanTEK®
PERFORMANCE GEARING



Spicer® AdvanTEK® Gearing

Differential Bearing Rebuild Kits				
Front Axle	Ratio	Spicer Part #	Install Kit Part #	Master Kit Part #
Dana 44™ AdvanTEK®	3.73	10046055	10040468	10040469
Dana 44™ AdvanTEK®	4.10	10048087	10040468	10040469
Dana 44™ AdvanTEK®	4.56	10050939	10040468	10040469
Dana 44™ AdvanTEK®	4.88	10051746	10040468	10040469
Dana 44™ AdvanTEK®	5.13	10051004	10040468	10040469
Dana 44™ AdvanTEK®	5.38	10050979	10040468	10040469
Rear Axle	Ratio	Spicer Part #	Install Kit Part #	Master Kit Part #
Dana 44™ AdvanTEK®	3.43	10062926	10040477	10040478
Dana 44™ AdvanTEK®	3.73	10062017	10040477	10040478
Dana 44™ AdvanTEK®	4.10	10062033	10040477	10040478
Dana 44™ AdvanTEK®	4.56	10067141	10040477	10040478
Dana 44™ AdvanTEK®	4.88	10073110	10040477	10040478
Dana 44™ AdvanTEK®	5.13	10067157	10040477	10040478
Dana 44™ AdvanTEK®	5.38	10067204	10040477	10040478

Spicer® Nickel Chromoly Axle Shafts

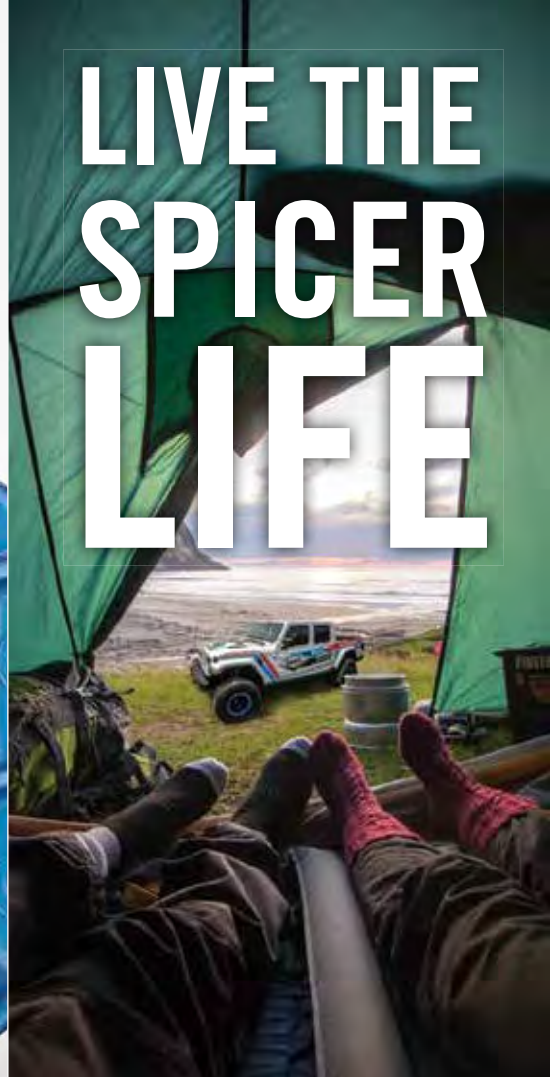
Front Axle	Series	Right Part #	Left Part #
Dana 44™ AdvanTEK® Wide Track E-Locker	1410	10033860	10033859
Rear Axle	Right Part #	Left Part #	
Dana 44™ AdvanTEK® Wide Track E-Locker	10043169	10043168	

AXLE SHAFT ASSEMBLY KITS for the WRANGLER JT (INCLUDES LEFT AND RIGHT)

Application	Axle Model	Location	Kit Description	Spicer Part #
2020 and Newer Gladiator JT	Dana 44™ AdvanTEK® Wide Track with E-Locker	Front	Front Right and Left Axle Shaft Kit	10044459



Scan here to learn more!



LIVE THE SPICER LIFE

THE **ULTIMATE**
DANA 60

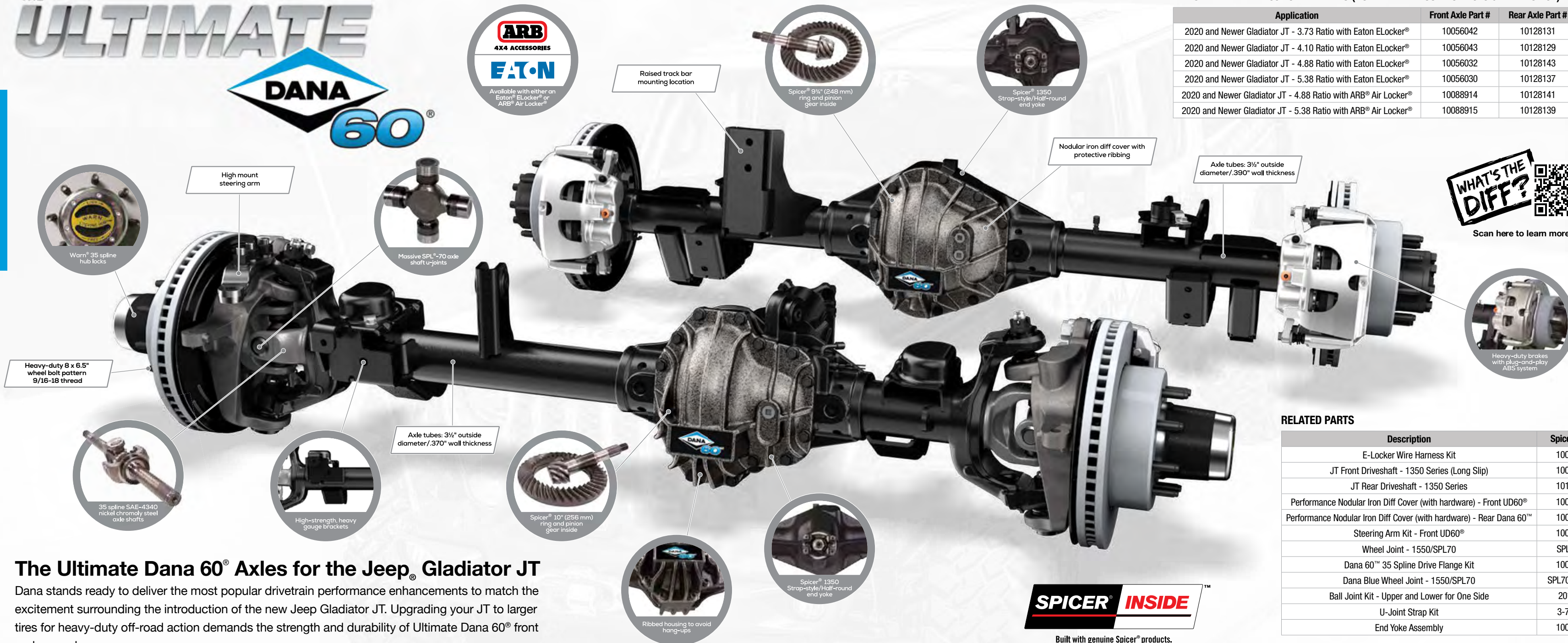


Available with either an Eaton® ELocker® or ARB® Air Locker®

THE ULTIMATE DANA 60® CRATE AXLES (BOLT IN AXLE ASSY. FOR 2019 GLADIATOR JT)

Application	Front Axle Part #	Rear Axle Part #
2020 and Newer Gladiator JT - 3.73 Ratio with Eaton ELocker®	10056042	10128131
2020 and Newer Gladiator JT - 4.10 Ratio with Eaton ELocker®	10056043	10128129
2020 and Newer Gladiator JT - 4.88 Ratio with Eaton ELocker®	10056032	10128143
2020 and Newer Gladiator JT - 5.38 Ratio with Eaton ELocker®	10056030	10128137
2020 and Newer Gladiator JT - 4.88 Ratio with ARB® Air Locker®	10088914	10128141
2020 and Newer Gladiator JT - 5.38 Ratio with ARB® Air Locker®	10088915	10128139

Jeep® Gladiator JT



The Ultimate Dana 60® Axles for the Jeep® Gladiator JT
 Dana stands ready to deliver the most popular drivetrain performance enhancements to match the excitement surrounding the introduction of the new Jeep Gladiator JT. Upgrading your JT to larger tires for heavy-duty off-road action demands the strength and durability of Ultimate Dana 60® front and rear axles.

RELATED PARTS

Description	Spicer Part #
E-Locker Wire Harness Kit	10021771
JT Front Driveshaft - 1350 Series (Long Slip)	10097841
JT Rear Driveshaft - 1350 Series	10132306
Performance Nodular Iron Diff Cover (with hardware) - Front UD60®	10024011
Performance Nodular Iron Diff Cover (with hardware) - Rear Dana 60™	10024090
Steering Arm Kit - Front UD60®	10024009
Wheel Joint - 1550/SPL70	SPL70-4X
Dana 60™ 35 Spline Drive Flange Kit	10028883
Dana Blue Wheel Joint - 1550/SPL70	SPL70-1550XC
Ball Joint Kit - Upper and Lower for One Side	2016801
U-Joint Strap Kit	3-70-28X
End Yoke Assembly	10015235



#ULTIMATE
DANA60

THE **ULTIMATE**



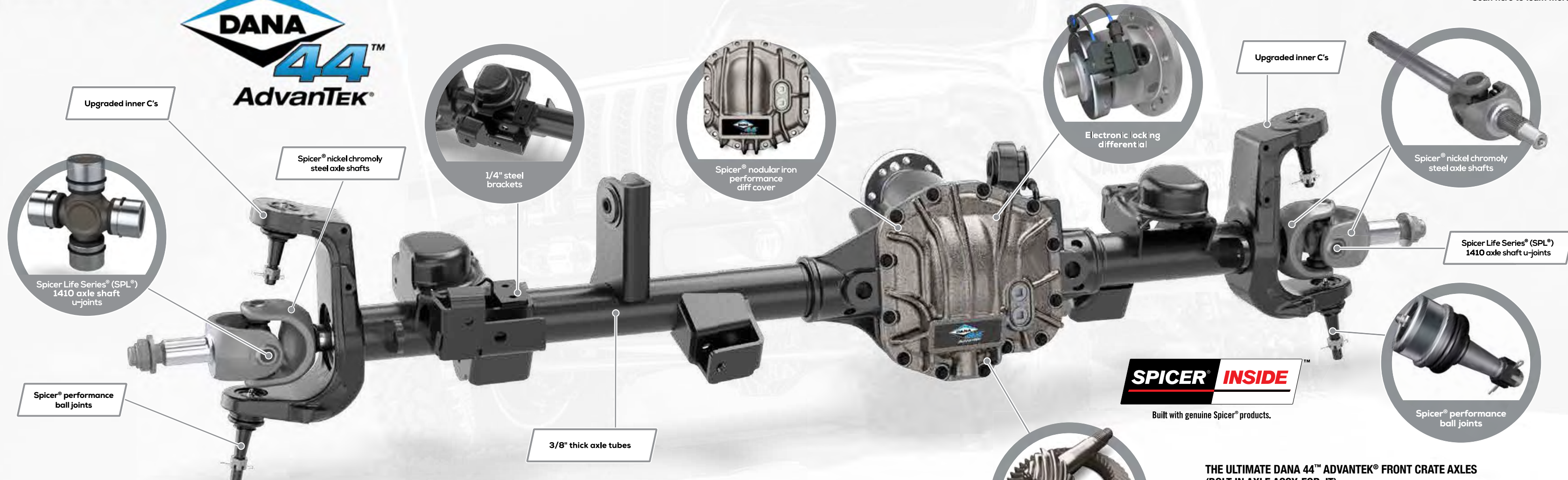
Introducing AdvanTEK® Technology for the Jeep® Gladiator JT

RELATED PARTS

Description	Spicer Part #
HD 1350 Series Front Driveshaft	10097840
Spicer Performance Ball Joint Kit (one side)	10048946
Premium Spicer Life Series® Universal Joint (1410 Non-Greasable)	5-1410-3X



Scan here to learn more!



Built with genuine Spicer® products.



THE ULTIMATE DANA 44™ ADVANTEK® FRONT CRATE AXLES (BOLT IN AXLE ASSY. FOR JT)

Application	Front Axle Part #
2020 and Newer Jeep Gladiator JT - 5.38 Ratio with Electric Locker	10047719
2020 and Newer Jeep Gladiator JT - 5.13 Ratio with Electric Locker	10047718
2020 and Newer Jeep Gladiator JT - 4.88 Ratio with Electric Locker	10047717
2020 and Newer Jeep Gladiator JT - 4.56 Ratio with Electric Locker	10047716
2020 and Newer Jeep Gladiator JT - 4.10 Ratio with Electric Locker	10047715

The Ultimate Dana 44™ AdvanTEK® Front Axle for the Jeep® JT

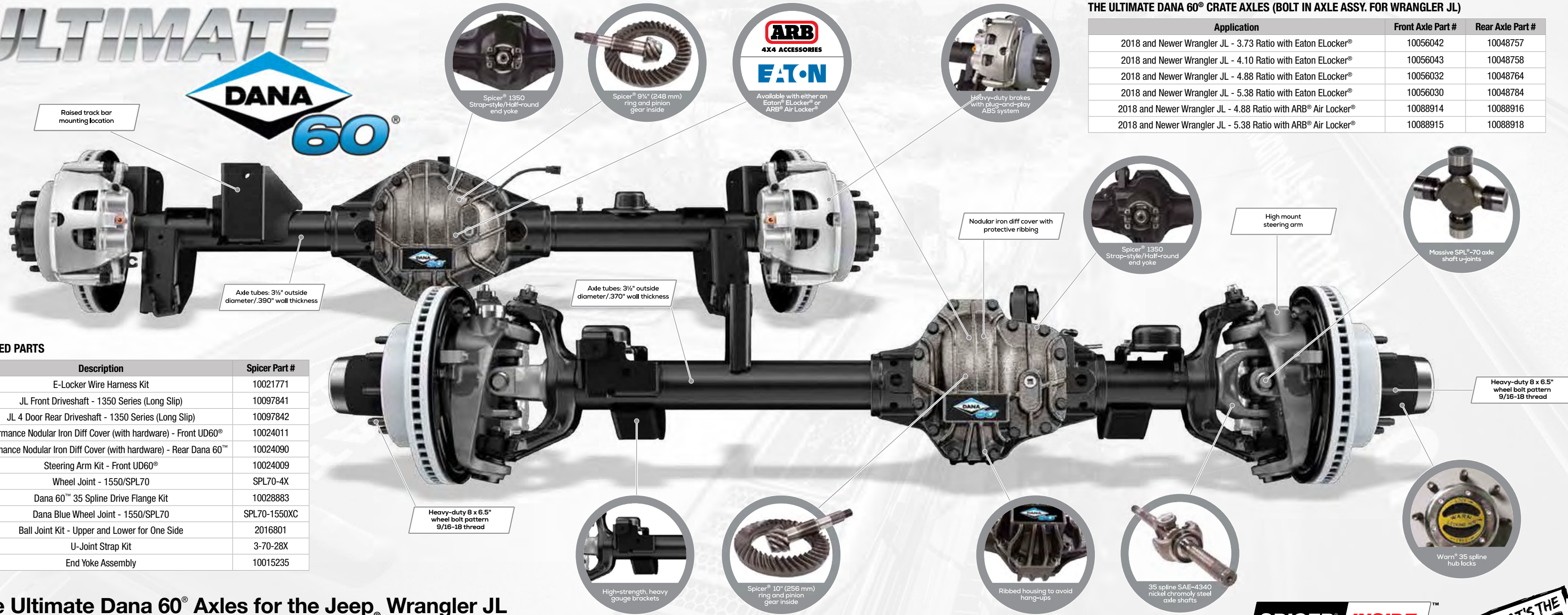
Freedom to go where you want and the confidence that you'll be ready for the next adventure: that's what you get with the Ultimate Dana 44™ AdvanTEK® axle for the Jeep Gladiator JT. Dana's exclusive AdvanTEK® gear technology provides greater power density and fuel efficiency than similar offerings, while reducing driveline weight. Trust the aftermarket axle that's manufactured to OE specs, from the OE axle provider for Jeep since the very beginning: Dana.



Jeep® Gladiator JT

THE ULTIMATE DANA 60

Jeep® Wrangler JL



THE ULTIMATE DANA 60® CRATE AXLES (BOLT IN AXLE ASSY. FOR WRANGLER JL)

Application	Front Axle Part #	Rear Axle Part #
2018 and Newer Wrangler JL - 3.73 Ratio with Eaton ELocker®	10056042	10048757
2018 and Newer Wrangler JL - 4.10 Ratio with Eaton ELocker®	10056043	10048758
2018 and Newer Wrangler JL - 4.88 Ratio with Eaton ELocker®	10056032	10048764
2018 and Newer Wrangler JL - 5.38 Ratio with Eaton ELocker®	10056030	10048784
2018 and Newer Wrangler JL - 4.88 Ratio with ARB® Air Locker®	10088914	10088916
2018 and Newer Wrangler JL - 5.38 Ratio with ARB® Air Locker®	10088915	10088918

RELATED PARTS

Description	Spicer Part #
E-Locker Wire Harness Kit	10021771
JL Front Driveshaft - 1350 Series (Long Slip)	10097841
JL 4 Door Rear Driveshaft - 1350 Series (Long Slip)	10097842
Performance Nodular Iron Diff Cover (with hardware) - Front UD60®	10024011
Performance Nodular Iron Diff Cover (with hardware) - Rear Dana 60™	10024090
Steering Arm Kit - Front UD60®	10024009
Wheel Joint - 1550/SPL70	SPL70-4X
Dana 60™ 35 Spline Drive Flange Kit	10028883
Dana Blue Wheel Joint - 1550/SPL70	SPL70-1550XC
Ball Joint Kit - Upper and Lower for One Side	2016801
U-Joint Strap Kit	3-70-28X
End Yoke Assembly	10015235

The Ultimate Dana 60® Axles for the Jeep® Wrangler JL

Get the confidence you need to scale rocks, splash through ravines and off-camber with the axles that are stronger than factory axles: Ultimate Dana 60® axles for Jeep JL can take all the beatings you dish out. Everything about these axles is heavy duty, from the brakes to the wheel bolt pattern to the brackets.



Built with genuine Spicer® products.



Scan here to learn more!



#ULTIMATE DANA60



THE ULTIMATE



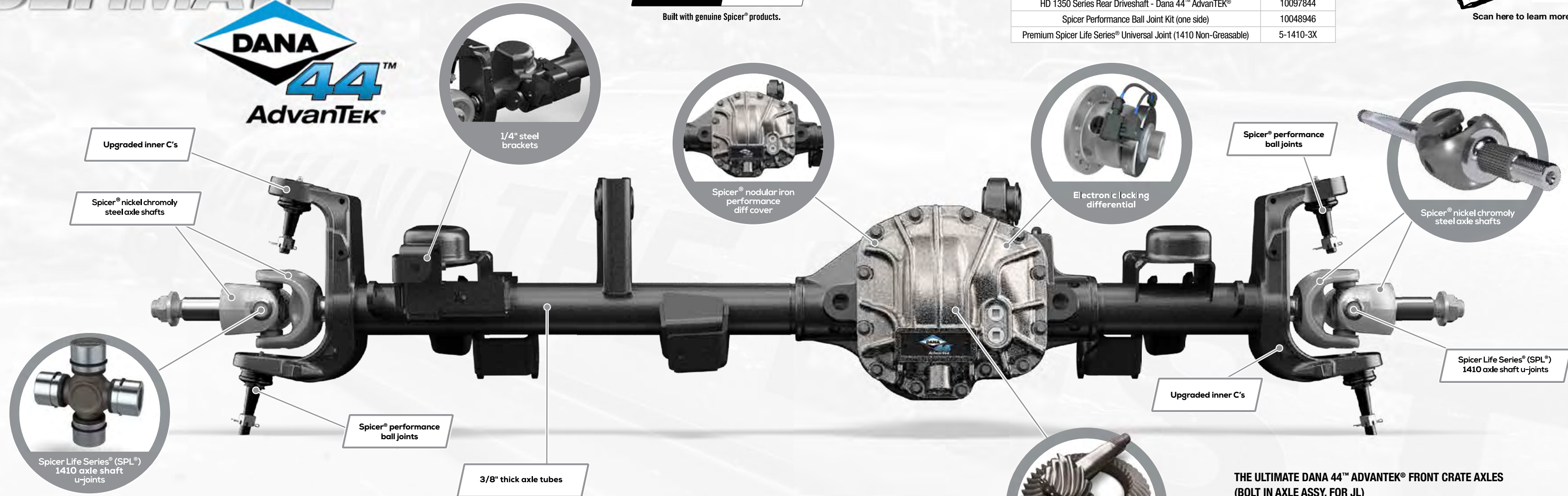
Built with genuine Spicer® products.



Scan here to learn more!

RELATED PARTS

Description	Spicer Part #
HD 1350 Series Front Driveshaft	10097840
HD 1350 Series Rear Driveshaft - Dana 35™ AdvanTEK®	10097843
HD 1350 Series Rear Driveshaft - Dana 44™ AdvanTEK®	10097844
Spicer Performance Ball Joint Kit (one side)	10048946
Premium Spicer Life Series® Universal Joint (1410 Non-Greasable)	5-1410-3X



#ULTIMATE DANA44 ADVANTEK

The Ultimate Dana 44™ AdvanTEK® Front Axle for the Jeep® Wrangler JL

For the first time ever, every Jeep Wrangler JL vehicle will be offered with exclusive Dana AdvanTEK® axle technology, right off the line. AdvanTEK® technology offers improved strength and efficiency while reducing the overall size and weight of the axle. The Ultimate Dana 44™ AdvanTEK® axle takes it to the next level with features like custom high-clearance housing designed to optimize extreme off-road performance.



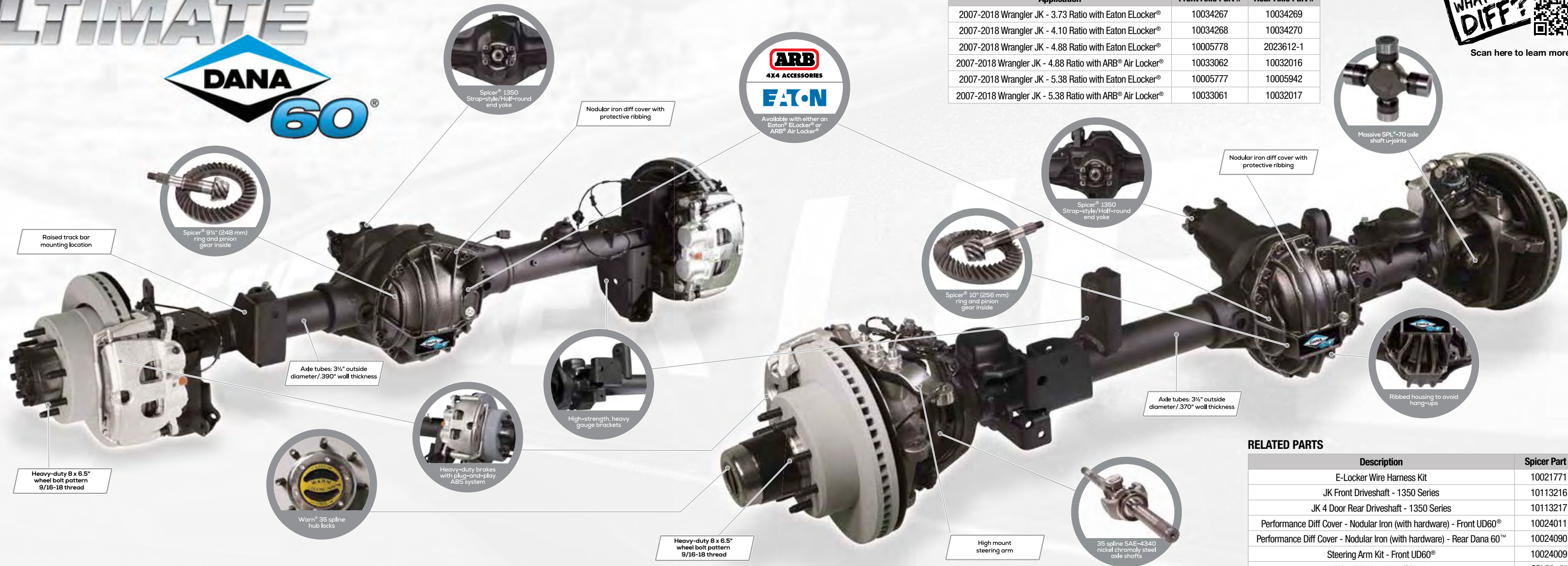
THE ULTIMATE DANA 44™ ADVANTEK® FRONT GRATE AXLES (BOLT IN AXLE ASSY. FOR JL)

Application	Front Axle Part #
2018 and Newer Jeep Wrangler JL - 5.38 Ratio with Electric Locker	10047719
2018 and Newer Jeep Wrangler JL - 5.13 Ratio with Electric Locker	10047718
2018 and Newer Jeep Wrangler JL - 4.88 Ratio with Electric Locker	10047717
2018 and Newer Jeep Wrangler JL - 4.56 Ratio with Electric Locker	10047716
2018 and Newer Jeep Wrangler JL - 4.10 Ratio with Electric Locker	10047715

THE ULTIMATE



Jeep® Wrangler JK



THE ULTIMATE DANA 60® CRATE AXLES (BOLT IN AXLE ASSY. FOR JK)

Application	Front Axle Part #	Rear Axle Part #
2007-2018 Wrangler JK - 3.73 Ratio with Eaton ELocker®	10034267	10034269
2007-2018 Wrangler JK - 4.10 Ratio with Eaton ELocker®	10034268	10034270
2007-2018 Wrangler JK - 4.88 Ratio with Eaton ELocker®	10005778	2023612-1
2007-2018 Wrangler JK - 4.88 Ratio with ARB® Air Locker®	10033062	10032016
2007-2018 Wrangler JK - 5.38 Ratio with Eaton ELocker®	10005777	10005942
2007-2018 Wrangler JK - 5.38 Ratio with ARB® Air Locker®	10033061	10032017



#ULTIMATE DANA60



RELATED PARTS

Description	Spicer Part #
E-Locker Wire Harness Kit	10021771
JK Front Driveshaft - 1350 Series	10113216
JK 4 Door Rear Driveshaft - 1350 Series	10113217
Performance Diff Cover - Nodular Iron (with hardware) - Front UD60®	10024011
Performance Diff Cover - Nodular Iron (with hardware) - Rear Dana 60™	10024090
Steering Arm Kit - Front UD60®	10024009
Wheel Joint - 1550/SPL70	SPL70-4X
Dana 60™ 35 Spline Drive Flange Kit	10028883
OE Integration Crate Axle E-Locker Wire Harness	10056733
Ball Joint Kit - Upper and Lower for One Side	2016801
U-Joint Strap Kit	3-70-28X
End Yoke Assembly	10015235

The Ultimate Dana 60® Axles for the Jeep® Wrangler JK

As Jeep owners modify their axles for even better performance over rocks, across sand, and through mud, Dana has taken notice. That's why Ultimate Dana 60® front and rear axles are built with the innovations that give you the confidence to take on the toughest terrain. Get added strength and durability with increased ground clearance for larger tires.



Built with genuine Spicer® products.

THE ULTIMATE DANA 44™

Jeep® Wrangler JK

RELATED PARTS

Description	Spicer Part #
E-Locker Wire Harness Kit	10021771
HD Front Driveshaft 0-2" Lift (with T-Case Yoke & Hardware)	10018230
HD Front Driveshaft 2-4" Lift (with T-Case Yoke & Hardware)	10020345
Blue Nodular Iron Differential Cover	10048739
Dana Blue Wheel Joint	5-7166XC
OE Integration Crate Axle E-Locker Wire Harness	10056733



THE ULTIMATE DANA 44™ FRONT CRATE AXLES (BOLT-IN AXLE ASSY. FOR JK)

Application	Front Axle Part #
2007-2018 Wrangler JK - 3.73 Ratio with Electric Locker	10010519
2007-2018 Wrangler JK - 3.73 Ratio with Std. Diff	10032861
2007-2018 Wrangler JK - 3.73 Ratio with ARB® Air Locker®	10048820
2007-2018 Wrangler JK - 4.10 Ratio with Electric Locker	10010455
2007-2018 Wrangler JK - 4.10 Ratio with Std. Diff	10032862
2007-2018 Wrangler JK - 4.10 Ratio with ARB® Air Locker®	10048821
2007-2018 Wrangler JK - 4.56 Ratio with Electric Locker	10010520
2007-2018 Wrangler JK - 4.56 Ratio with Std. Diff	10032863
2007-2018 Wrangler JK - 4.56 Ratio with ARB® Air Locker®	10048822
2007-2018 Wrangler JK - 4.88 Ratio with Electric Locker	10010521
2007-2018 Wrangler JK - 4.88 Ratio with Std. Diff	10032864
2007-2018 Wrangler JK - 4.88 Ratio with ARB® Air Locker®	10048823
2007-2018 Wrangler JK - 5.13 Ratio with Electric Locker	10010522
2007-2018 Wrangler JK - 5.13 Ratio with Std. Diff	10032865
2007-2018 Wrangler JK - 5.13 Ratio with ARB® Air Locker®	10048824
2007-2018 Wrangler JK - 5.38 Ratio with Electric Locker	10010742
2007-2018 Wrangler JK - 5.38 Ratio with Std. Diff	10032866
2007-2018 Wrangler JK - 5.38 Ratio with ARB® Air Locker®	10048825



Also available in Dana blue. See page 30.



Built with genuine Spicer® products.

#ULTIMATE DANA44

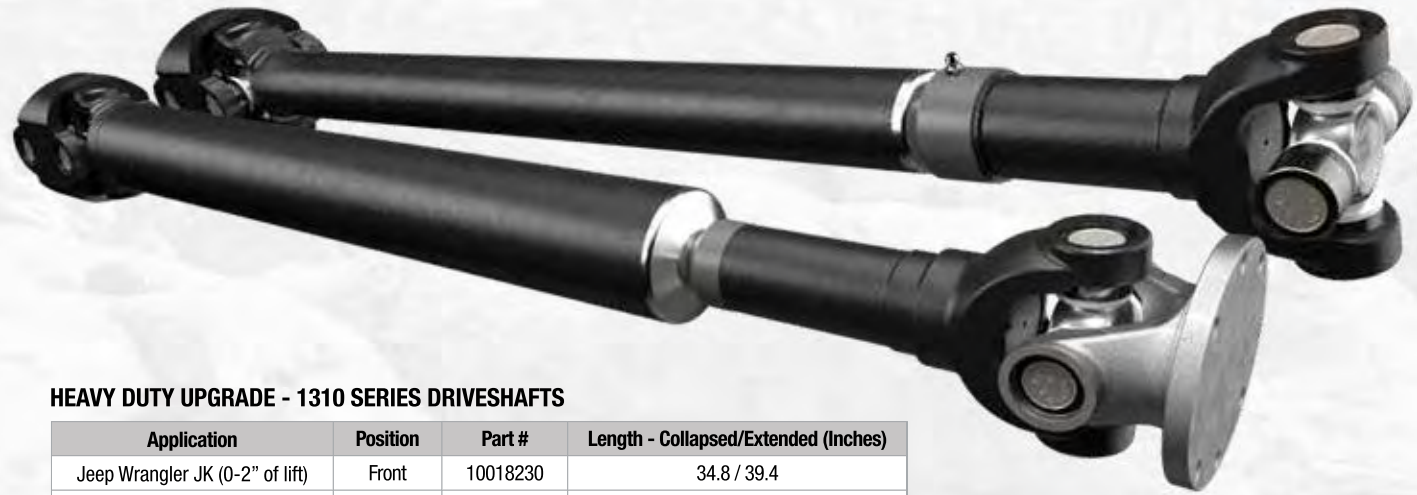




Spicer® Driveshafts for the Jeep® Wrangler JK, JL and Gladiator JT

Greater Strength. Less Vibration. Direct Fit.

- Features a thicker tube for added strength
- One-piece flange eliminates run-out and the need for an adapter
- Smaller diameter offers improved clearance to the exhaust
- Includes transfer case, half-round conversion yoke, and hardware



HEAVY DUTY UPGRADE - 1310 SERIES DRIVESHAFTS

Application	Position	Part #	Length - Collapsed/Extended (Inches)
Jeep Wrangler JK (0-2" of lift)	Front	10018230	34.8 / 39.4
Jeep Wrangler JK	Front	10020345	35.9 / 40.5
Jeep Wrangler JL	Front	10020345	35.9 / 40.5
Jeep Gladiator JT	Front	10020345	35.9 / 40.5

HEAVY DUTY UPGRADE - 1350 SERIES DRIVESHAFTS - FOR USE WITH ULTIMATE DANA 60®

Application	Position	Part #	Length - Collapsed/Extended (Inches)
Jeep Wrangler JK	Front	10113216	31.8 / 34.9
Jeep Wrangler JK	Rear	10113217	39.9 / 43.6
Jeep Wrangler JL	Front	10097841	33.2 / 36.3
Jeep Wrangler JL	Rear	10097842	41.4 / 45.1
Jeep Gladiator JT	Front	10097841	33.2 / 36.3
Jeep Gladiator JT	Rear	10132306	60.3 / 66.6

HEAVY DUTY UPGRADE - 1350 SERIES DRIVESHAFTS

Application	Axle Model	Position	Part #	Length - Collapsed/Extended (Inches)
Jeep Wrangler JL	Dana 30™	Front	10097839	36.5 / 39.6
Jeep Wrangler JL	Dana 35™ AdvanTEK®	Rear	10097843	44.8 / 48.4
Jeep Wrangler JL	Dana 44™ AdvanTEK®	Front	10097840	35.9 / 39.0
Jeep Wrangler JL	Dana 44™ AdvanTEK®	Rear	10097844	43.6 / 47.2
Jeep Gladiator JT	Dana 44™ AdvanTEK®	Front	10097840	35.9 / 39.0
Jeep Gladiator JT	Dana 44™ AdvanTEK®	Rear	10132305	62.5 / 68.7

Note: To ensure proper fitment, it is best to measure your application after any axle and lift installation.

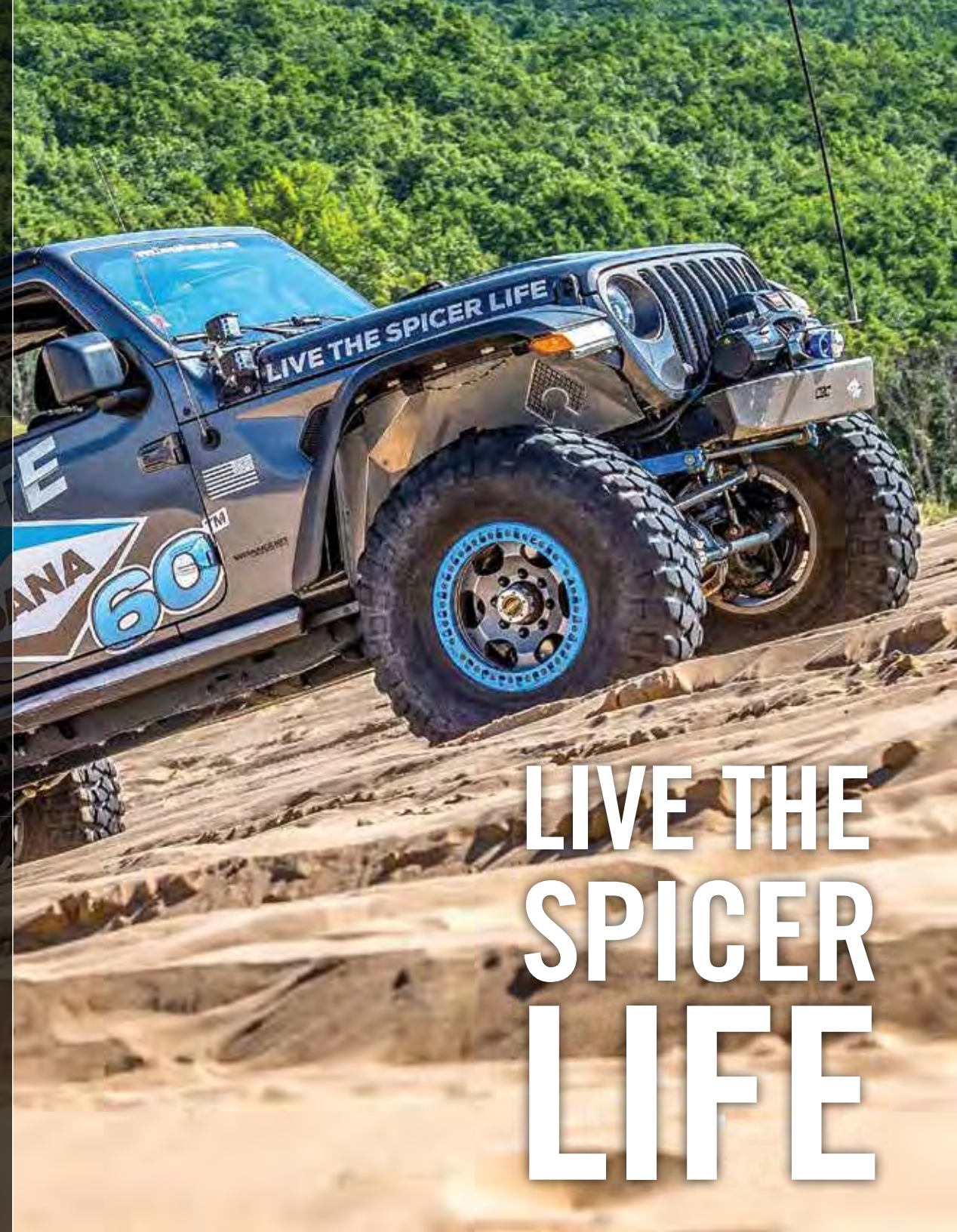
The below information is a general guide for selecting the proper driveshafts.

- JK driveshafts accommodate 2-4" of lift
- JT driveshafts accommodate 0-6" of lift
- JL driveshafts accommodate 0-6" of lift

DIRECT-FIT, BOLT-IN UPGRADE



All genuine Spicer® driveshafts include a Spicer transfer case yoke and hardware for easy installation.



LIVE THE SPICER LIFE



WHERE WE'RE
GOING
 WE DON'T NEED
ROADS

BUILT FOR ULTIMATE PERFORMANCE



Our SAE-4340 nickel chromoly axle shafts are engineered to exceed OE standards and meet the exacting demands of off-road.

Spicer® Nickel Chromoly Axle Shafts for the Jeep® Wrangler JK, JL and the Jeep® Gladiator JT

The Metal Makes the Difference.

Hit the trail with the confidence that comes from knowing you are backed by the global leaders in driveline products. Engineered to deliver added strength and durability, these Spicer axle shafts are one more example of the innovations that we bring to performance applications.



FRONT AXLE SHAFTS

Application	Axle Model	Differential	Left	Right
Jeep Wrangler JK	Dana 30™	Open	10153885	10153886
Jeep Wrangler JK	Dana 44™	Aftermarket Locker	10033858	10033857
Jeep Wrangler JK	Dana 44™	E-Locker	10033859	10033860
Jeep Wrangler JL	Dana 30™	Open	10044416	10044431
Jeep Wrangler JL	Dana 44™ AdvanTEK®	Open/Trac-Lok™/ARB®	10044419	10044431
Jeep Wrangler JL	Dana 44™ AdvanTEK®	E-Locker	10044422	10044432
Jeep Gladiator JT	Dana 44™ AdvanTEK®	E-Locker	10044422	10044432

REAR AXLE SHAFTS

Application	Axle Model	Differential	Left	Right
Jeep Wrangler JK	Dana 44™	Open/Trac-Lok™/ARB®	10153887	10153887
Jeep Wrangler JK	Dana 44™	E-Locker	10153888	10153889
Jeep Wrangler JL	Dana 35™ AdvanTEK®	Open	10043051	10043051
Jeep Wrangler JL	Dana 44™ AdvanTEK®	Open/Trac-Lok™/ARB®	10043059	10043059
Jeep Wrangler JL	Dana 44™ AdvanTEK®	E-Locker	10043168	10043169
Jeep Gladiator JT	Dana 44™ AdvanTEK®	E-Locker	10043168	10043169

AXLE SHAFT ASSEMBLY KITS FOR WRANGLER JL (INCLUDES LEFT AND RIGHT)

Application	Axle Model	Location	Kit Description	Spicer Part #
2018 and Newer JL	Dana 30™	Front	Front Axle Shaft Kit with FAD Removal	10044417
2018 and Newer JL	Dana 30™	Front	Front Axle Shaft Kit	10045077
2018 and Newer JL	Dana 44™ AdvanTEK® Open Differential	Front	Front Axle Shaft Kit with FAD Removal	10044469
2018 and Newer JL	Dana 44™ AdvanTEK® Wide Track with E-Locker	Front	Front Axle Shaft Kit with FAD Removal	10044474
2018 and Newer JL	Dana 44™ AdvanTEK® Open Differential	Front	Front Axle Shaft Kit	10044458
2018 and Newer JL Rubicon	Dana 44™ AdvanTEK® Wide Track with E-Locker	Front	Front Axle Shaft Kit	10044459

FAD REMOVAL KIT

Application	Spicer Part #
2018 and Newer Jeep Wrangler JL	10045078
2020 and Newer Jeep Gladiator JT	10045078



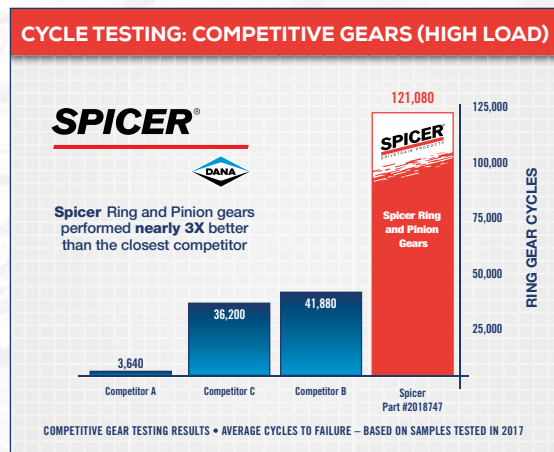
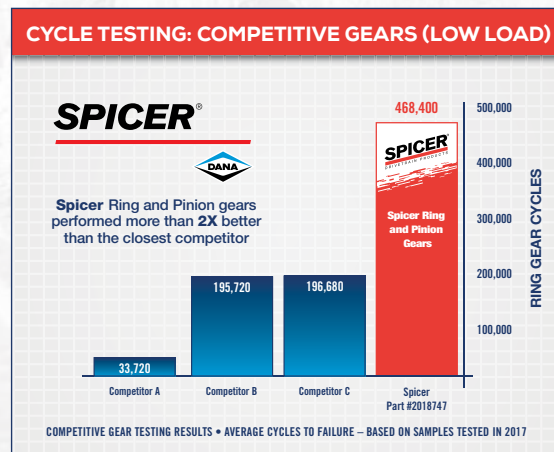


Made in USA

Spicer® Ring & Pinion Gearing for the Jeep® Wrangler JK

Quiet, Durable, Easy to Set Up Gearing for the Dana 30™ and Dana 44™ Axles.

Get the benefits of precision-machined gearing for genuine Dana axles, including a smoother, quieter ride and up to double the life of non-genuine parts. Our Spicer **Differential Bearing Install Kits** and **Differential Bearing Master Overhaul Kits** save you money, downtime, and aggravation by offering the parts you need when you need them.



During fatigue tests, each gear is installed in a production axle attached to a dyno, which then runs until the gear fractures. The high-load test simulates a loaded vehicle going uphill or carrying extra capacity such as a trailer. The low-load test simulates everyday driving at an accelerated rate. Under high-load conditions, Spicer ring and pinion gears lasted an average of 121,080 cycles—nearly three times as many cycles as the closest competitor. And under low-load conditions, Spicer ring and pinion gears performed more than twice as many cycles as the competition!

2007-2018 JEEP® WRANGLER JK (NON-RUBICON)

Front Axle	Ratio	Differential Bearing Rebuild Kits		
		Spicer Part #	Install Kit Part #	Master Kit Part #
Dana 30™	3.73	2005021-5*	2017366	2017378
Dana 30™	4.10	2005027-5*	2017366	2017378
Dana 30™	4.56	10026645	2017366	2017378
Dana 30™	4.88	10026639	2017366	2017378
Dana 30™	5.13	10026642	2017366	2017378
Rear Axle	Ratio	Spicer Part #	Install Kit Part #	Master Kit Part #
Dana 44™	3.21	2007774	2017086	2017109**
Dana 44™	3.73	2008688	2017086	2017109**
Dana 44™	4.10	2007772	2017086	2017109**
Dana 44™	4.56	2018737	2017086	2017109**
Dana 44™	4.88	2018747	2017086	2017109**
Dana 44™	5.13	2018756	2017086	2017109**
Dana 44™	5.38	10027182	2017086	2017109**

2007-2018 JEEP® WRANGLER JK (RUBICON)

Front Axle	Ratio	Differential Bearing Rebuild Kits		
		Spicer Part #	Install Kit Part #	Master Kit Part #
Dana 44™	3.73	2013742-5*	2017088	2017106
Dana 44™	4.10	2005024-5*	2017088	2017106
Dana 44™	4.56	2019746	2017088	2017106
Dana 44™	4.88	2019749	2017088	2017106
Dana 44™	5.13	2019752	2017088	2017106
Dana 44™	5.38	10010738	2017088	2017106
Rear Axle	Ratio	Spicer Part #	Install Kit Part #	Master Kit Part #
Dana 44™	3.21	2007774	2017086	2017109**
Dana 44™	3.73	2008688	2017086	2017109**
Dana 44™	4.10	2007772	2017086	2017109**
Dana 44™	4.56	2018737	2017086	2017109**
Dana 44™	4.88	2018747	2017086	2017109**
Dana 44™	5.13	2018756	2017086	2017109**
Dana 44™	5.38	10027182	2017086	2017109**

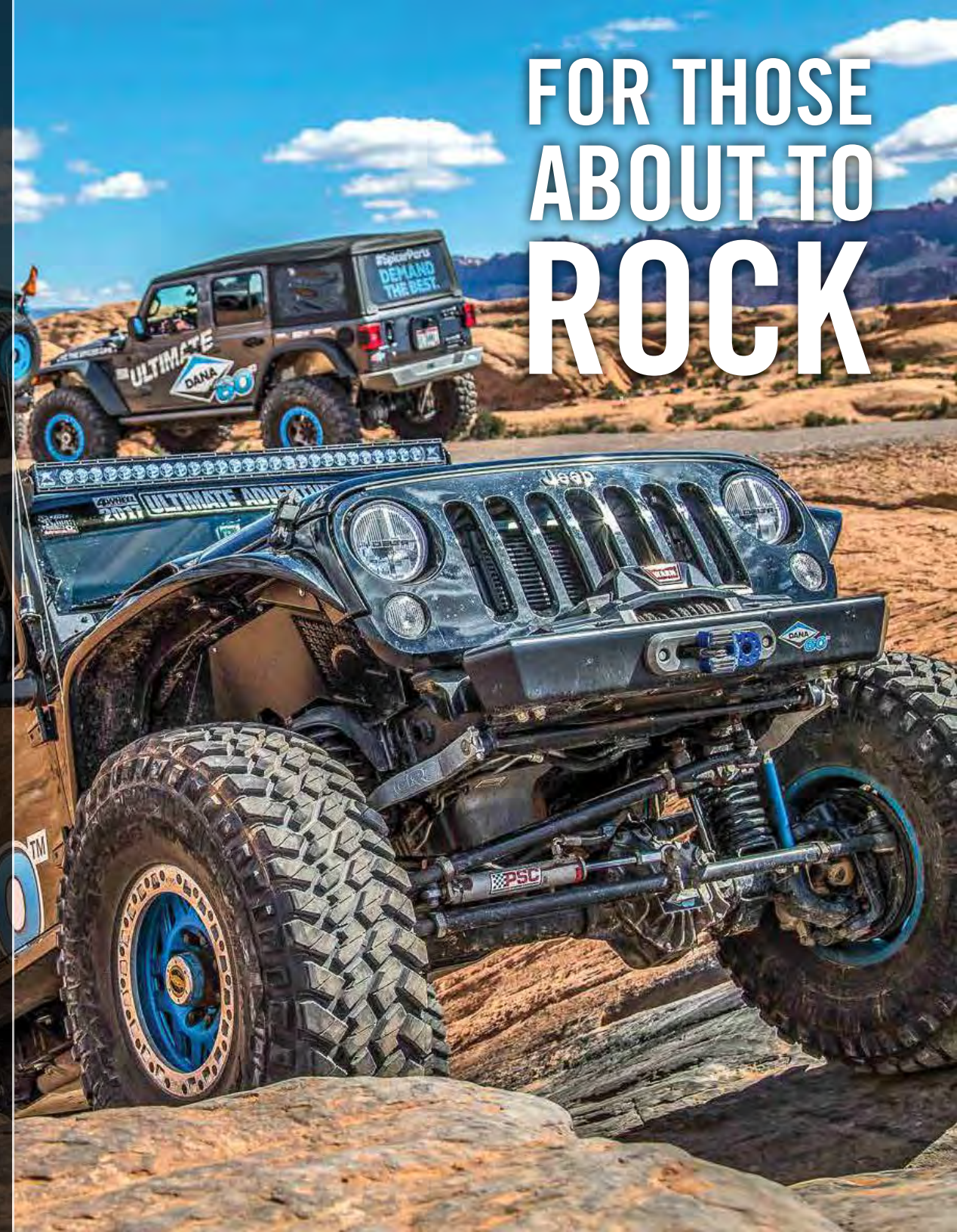
* Includes Ring Gear Bolts & Pinion Nut ** Fits 2008 & Newer Wrangler JK. 2007 Model Year Uses PN# 2017102

HEAT TREATMENT
FACE HOBGING
SHOT PEENING
LAPPING



These are the processes that differentiate us from the competition. To learn what makes a Spicer quality part, visit us on the web at SpicerParts.com/WhatsTheDiff.

FOR THOSE
ABOUT TO
ROCK





ROCK STEADY PERFORMANCE



GEAR UP FOR THE GREAT OUTDOORS.

Built with a smaller, more durable 220mm ring gear, Spicer® AdvanTEK® gives Jeep enthusiasts the power to handle even the most extreme off-road conditions.

SPICER®

AdvanTEK®
PERFORMANCE GEARING



Spicer® AdvanTEK® Gearing for the Wrangler JL and Gladiator JT

For the first time ever, every Jeep Wrangler JL and Jeep Gladiator JT vehicle will be offered with exclusive Dana® AdvanTEK® technology, right off the line. Only Dana delivers the technology and performance of AdvanTEK® gearing – available for the Dana 35™ and Dana 44™. Trust them to provide greater power density and fuel efficiency than similar offerings, while reducing driveline weight with lighter, higher-strength materials and advanced Spicer® AdvanTEK® technology.



Made in USA



2018 AND NEWER WRANGLER JL and GLADIATOR JT

	Front Axle	Ratio	Spicer Part #	Differential Bearing Rebuild Kits	
				Install Kit Part #	Master Kit Part #
Rubicon, Select Sport, Sahara or Gladiator Models	Dana 44™ AdvanTEK®	3.73	10046055	10040468	10040469
	Dana 44™ AdvanTEK®	4.10	10048087	10040468	10040469
	Dana 44™ AdvanTEK®	4.56	10050939	10040468	10040469
	Dana 44™ AdvanTEK®	4.88	10051746	10040468	10040469
	Dana 44™ AdvanTEK®	5.13	10051004	10040468	10040469
	Dana 44™ AdvanTEK®	5.38	10050979	10040468	10040469
	Rear Axle	Ratio	Spicer Part #	Install Kit Part #	Master Kit Part #
	Dana 44™ AdvanTEK®	3.43	10062926	10040477	10040478
	Dana 44™ AdvanTEK®	3.73	10062017	10040477	10040478
	Dana 44™ AdvanTEK®	4.10	10062033	10040477	10040478
Dana 44™ AdvanTEK®	4.56	10067141	10040477	10040478	
Dana 44™ AdvanTEK®	4.88	10073110	10040477	10040478	
Dana 44™ AdvanTEK®	5.13	10067157	10040477	10040478	
Dana 44™ AdvanTEK®	5.38	10067204	10040477	10040478	
Base Sport or Sahara Models	Front Axle	Ratio	Spicer Part #	Install Kit Part #	Master Kit Part #
	Dana 30™	3.45	10006253	10040312	10040313
	Dana 30™	4.10	2005027-5*	10040312	10040313
	Dana 30™	4.56	10026645	10040312	10040313
	Dana 30™	4.88	10026639	10040312	10040313
	Dana 30™	5.13	10026642	10040312	10040313
	Rear Axle	Ratio	Spicer Part #	Install Kit Part #	Master Kit Part #
	Dana 35™ AdvanTEK®	3.45	10060460	10040451	10040452
	Dana 35™ AdvanTEK®	4.10	10095819	10040451	10040452
	Dana 35™ AdvanTEK®	4.56	10067221	10040451	10040452
Dana 35™ AdvanTEK®	4.88	10067231	10040451	10040452	
Dana 35™ AdvanTEK®	5.13	10067244	10040451	10040452	

* Includes Ring Gear Bolts & Pinion Nut



Spicer® Axle Shaft U-Joints & Driveshaft U-Joint Performance Packs for the Jeep® Wrangler and Gladiator

The Ultimate U-Joints for Premium Performance.

No matter what conditions you face in your vehicle, Spicer Life Series® and Spicer 10 Series™ u-joints deliver.

- Performance packs provide every u-joint needed for repair on the trail
- **Journal Cross:** Engineered with a solid, cold-formed body
- **Lubrication Options:** Available in greaseable or non-greaseable options
- **Bearing Cups:** Heat-treated for strength and precision ground and case-hardened for durability
- **Multi-lip Seal:** Keep grease in and contaminants out
- **Thrust Washers:** Prevent wear by eliminating metal-to-metal contact
- For more application information please visit SpicerParts.com/Identify
- For u-joint testing data, please visit SpicerParts.com/WhatsTheDiff



AXLE SHAFT U-JOINTS

Description	Spicer Part #
Premium Spicer Life Series® (1350 Non-Greaseable)	5-7166X
Premium Spicer Life Series® (1310 Non-Greaseable)	5-760X
Genuine Spicer (1310 Greaseable)	5-260X
Premium Spicer Life Series® (1410 Non-Greaseable)	5-1410-3X
Premium Spicer Life Series® (SPL®70/1550 Non-Greaseable)	SPL70-4X
Premium Spicer Life Series® - Blue (1310 Non-Greaseable)	5-760XC
Premium Spicer Life Series® - Blue (1350 Non-Greaseable)	5-7166XC
Premium Spicer Life Series® - Blue (SPL70®/1550 Non-Greaseable)	SPL70-1550XC

Spicer® Ultra-Premium Synthetic Grease

Don't Skimp on the Lube That Keeps Everything Running Smoothly.

- The only synthetic lubricant engineered to complement genuine Spicer® u-joints
- Increases bearing life by more than 30%
- Made from calcium sulfonate for superior performance
- Excellent load-carrying ability, wear resistance, and protection against corrosion
- Available in 14-ounce tubes or 1-gallon tubs

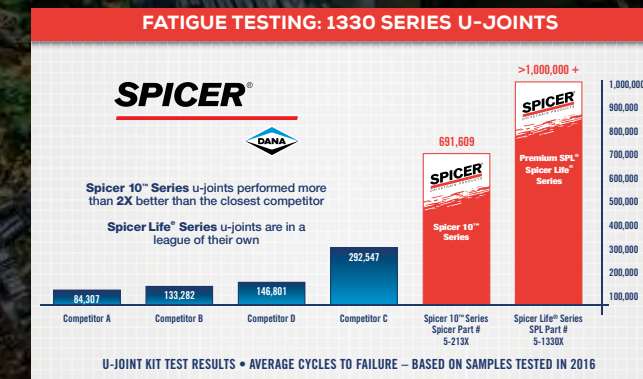
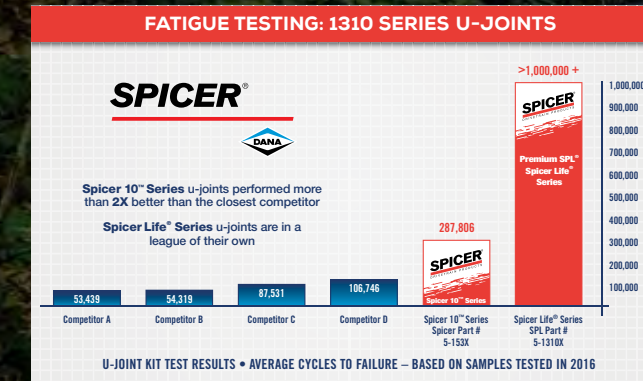


Description	Spicer Part #
14-Ounce Tube	SPL® 1051
1-Gallon Tub	SPL® 1052

SPICER LIFE SERIES® DRIVESHAFT U-JOINT PERFORMANCE PACKS

Application	Spicer Part #
2007-11 JK w/ Aftermarket 1310 Driveshafts with CV Front Driveshaft	SPL® 1014JK
2007-11 JK w/ Aftermarket 1350 Driveshafts with CV Front Driveshaft	SPL® 1029JK
2012-18 JK w/ Aftermarket 1310 Driveshafts with CV Front Driveshaft	SPL® 1028JK
2012-18 JK w/ Aftermarket 1350 Driveshafts with CV Front Driveshaft	SPL® 1030JK

TESTED. PROVEN. TRUSTED. DRIVEN.



Spicer universal joints outperform the competition! For more information, visit SpicerParts.com/WhatsTheDiff.



WHERE PROCESS MEETS PERFORMANCE

Spicer® Performance Adjustable Shocks for the Jeep® Wrangler JK

Hand-Built in the USA by Walker Evans Racing

For the first time, you can get the ride that made the legend. Walker Evans Racing uses only the finest domestic alloys to hand-build these direct-fit shock absorbers. Manufactured with pride in Riverside, California, these rebuildable shocks deliver championship quality on the road and off. Trust the names that people have turned to for decades: Walker Evans Racing and Spicer. **Shocks are sold individually.**

- Braided stainless remote lines withstand abrasion and heat
- Billet aluminum remote reservoir brackets hold tight in the toughest circumstances
- Progressive application-specific valve stacks offer unparalleled ride quality and performance
- 16-position compression adjuster delivers 250% range of dampening force, easily adjusting for any street or trail conditions



SPICER® PERFORMANCE ADJUSTABLE SHOCKS

Category	Spicer Part #	Application Summary
Performance Adjustable Shocks	2023594	Jeep Wrangler JK with 3-5" Lift (Left/Front)
Performance Adjustable Shocks	2023595	Jeep Wrangler JK with 3-5" Lift (Left/Rear)
Performance Adjustable Shocks	2023594	Jeep Wrangler JK with 3-5" Lift (Right/Front)
Performance Adjustable Shocks	2023595	Jeep Wrangler JK with 3-5" Lift (Right/Rear)



NO ROADS. NO LIMITS.

Spicer® Inner Gear Kits for the Jeep® Wrangler JK, JL and Gladiator JL

Near-Net Forged for Longer Life in Dana Axles.

- Everything you need to rebuild your differential case
- Inner gear kit engineered to Dana specifications
- Forged to ensure greater strength and increased durability, without the stress risers that come from cutting gears



CARRIER CASE INNER GEAR KITS FOR JL AND JT

Application Summary	Position	Axle Model	Description	Spicer Part #
2018 and Newer JL	Front	Dana 30™	Standard Diff	10062492
2018 and Newer JL and JT	Front	Dana 44™ AdvanTEK®	Standard Diff	10067836
2018 and Newer JL	Rear	Dana 35™ AdvanTEK®	Standard Diff	10063481
2018 and Newer JL and JT	Rear	Dana 44™ AdvanTEK®	Standard Diff	10071981
2018 and Newer JL and JT	Rear	Dana 44™ AdvanTEK®	Trac-Lok™ Limited Slip	10071921
2018 and Newer JL and JT	Rear	Dana 44™ AdvanTEK®	Trac-Lok™ Limited Slip Clutch & Plate Kit	10071924

CARRIER CASE INNER GEAR KITS FOR JK

Application Summary	Position	Axle Model	Description	Spicer Part #
2007-2018 Wrangler JK Non-Rubicon	Front	Dana 30™	Standard Diff	2005962
2007-2018 Wrangler JK Non-Rubicon	Rear	Dana 44™	Standard Diff	2009155
2007-2018 Wrangler JK Non-Rubicon	Rear	Dana 44™	Trac-Lok™ Limited Slip Clutch & Plate Kit	2007326

Dana 60™ 35 Spline Drive Flange Kit for the Jeep® Wrangler JK and JL

Dual Heat Treated and Engineered from SAE-4340 Nickel Chromoly Steel

Kit contents:

- 2 dual heat treated SAE-4340 nickel chromoly steel drive flanges – 35 spline
- 2 Dana 60™ etched aluminum drive flange covers (black finish)
- 8 stainless steel cover screws
- 2 steel retaining spacer rings
- 2 large o-rings
- 2 axle clip rings



Axle Model	Spline Count	Cover Color	Description	Spicer Part #
Dana 60™	35 Spline	Black	Drive Flange Kit	10028883



BUILT FOR PEAK PERFORMANCE.



Spicer® Performance Differential Covers for the Wrangler JK, JL and Gladiator JT

Wherever You Take Your Vehicle, We Have You Covered.

- Designed with an aggressive look to match trail-ready strength
- Manufactured from high-strength nodular iron
- Built with ribbing to protect components off-road
- Ensures greater housing rigidity
- Enhances the look of your undercarriage
- Raised fill plug for increased fluid capacity on high pinion angles
- Includes hardware and drain plug

NODULAR IRON - PERFORMANCE - WRANGLER JK

Application Summary	Axle Model	Position	Description	Spicer Part #
Wrangler JK Non-Rubicon	Dana 30™	Front	Gray Nodular Iron - Performance (with hardware & Performance Gasket)	10023534
Wrangler JK Non-Rubicon	Dana 30™	Front	Blue Nodular Iron - Performance (with hardware & Performance Gasket)	10048737
Wrangler JK Rubicon	Dana 44™	Front	Gray Nodular Iron - Performance (with hardware)	10023536
Wrangler JK Rubicon	Dana 44™	Front	Blue Nodular Iron - Performance (with hardware)	10048739
Wrangler JK	Dana 44™	Rear	Gray Nodular Iron - Performance (with hardware)	10023536
Wrangler JK	Dana 44™	Rear	Blue Nodular Iron - Performance (with hardware)	10048739

STAMPED STEEL - GENUINE REPLACEMENT - WRANGLER JK

Application Summary	Axle Model	Position	Description	Spicer Part #
Wrangler JK Non-Rubicon	Dana 30™	Front	Stamped Steel Cover Kit (with hardware)	2007353
Wrangler JK Rubicon	Dana 44™	Front	Stamped Steel Cover Kit (with hardware)	708175
Wrangler JK	Dana 44™	Rear	Stamped Steel Cover Kit (with hardware)	707111X

NODULAR IRON - PERFORMANCE - WRANGLER JL AND GLADIATOR JT

Application Summary	Axle Model	Position	Description	Spicer Part #
Wrangler JL	Dana 30™	Front	Gray Nodular Iron - Performance (with hardware)	10040640
Wrangler JL	Dana 30™	Front	Blue Nodular Iron - Performance (with hardware)	10053465
Wrangler JL	Dana 35™ AdvanTEK®	Rear	Gray Nodular Iron - Performance (with hardware)	10044349
Wrangler JL	Dana 35™ AdvanTEK®	Rear	Blue Nodular Iron - Performance (with hardware)	10053467
Wrangler JL and Gladiator JT	Dana 44™ AdvanTEK®	Front	Gray Nodular Iron - Performance (with hardware)	10044799
Wrangler JL and Gladiator JT	Dana 44™ AdvanTEK®	Front	Blue Nodular Iron - Performance (with hardware)	10053466
Wrangler JL and Gladiator JT	Dana 44™ AdvanTEK®	Rear	Gray Nodular Iron - Performance (with hardware)	10040651
Wrangler JL and Gladiator JT	Dana 44™ AdvanTEK®	Rear	Blue Nodular Iron - Performance (with hardware)	10053468

STAMPED STEEL - GENUINE REPLACEMENT - WRANGLER JL

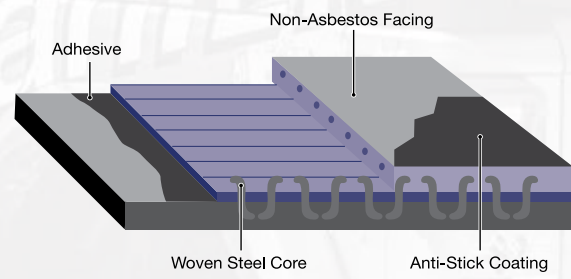
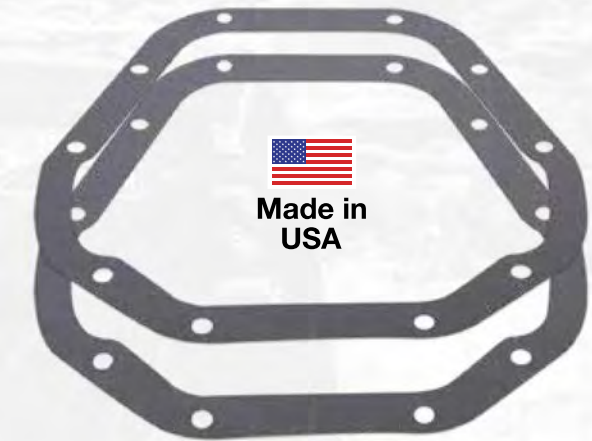
Application Summary	Axle Model	Position	Description	Spicer Part #
Wrangler JL	Dana 35™ AdvanTEK®	Rear	Stamped Steel Cover Kit (with hardware)	10063376
Wrangler JL	Dana 44™ AdvanTEK®	Rear	Stamped Steel Cover Kit (with hardware)	10071956

Spicer® Performance Differential Gaskets for the Jeep® Wrangler JK

Easily Installed. Instantly Sealed.

Tired of using paper differential gaskets? Spicer has the solution.

- High-performance gaskets for maximum durability
- Easy repair when you are in the field
- Anti-stick coating on the outside
- Woven steel core at the center
- Does not require RTV or other silicone-based sealant
- Reusable for added convenience



DIFFERENTIAL COVER GASKETS

Application Summary	Axle Model	Description	Spicer Part #
2007-2018 Wrangler JK	Dana 30™	High Performance / Reusable	RD52001
2007-2018 Wrangler JK	Dana 30™	Genuine Spicer OE-Style	34684
2007-2018 Wrangler JK	Dana 44™	High Performance / Reusable	RD52000
2007-2018 Wrangler JK	Dana 44™	Genuine Spicer OE-Style	34685

Spicer® Differential Carrier Cases for the Wrangler JK, JL and Gladiator JT

Strength and Durability Across Multiple Configurations.



DIFFERENTIAL CARRIER CASES FOR JL AND JT

Application Summary	Position	Axle Model	Description	Spicer Part #
Wrangler JL	Front	Dana 30™	Standard Diff	10062383
Wrangler JL	Rear	Dana 35™ AdvanTEK®	Standard Diff	10063459
Wrangler JL and Gladiator JT	Front	Dana 44™ AdvanTEK®	Standard Dif	10067838
Wrangler JL and Gladiator JT	Rear	Dana 44™ AdvanTEK®	Trac-Lok™ Diff	10071926

DIFFERENTIAL CARRIER CASES FOR JK

Application Summary	Position	Axle Model	Description	Spicer Part #
Wrangler JK Non-Rubicon	Front	Dana 30™	Standard Diff 3.73 & Up	2005974
Wrangler JK Non-Rubicon	Front	Dana 30™	Standard Diff 3.55 & Down	2005961
Wrangler JK Rubicon	Front	Dana 44™	Electric Locking Diff	2007503
Wrangler JK Non-Rubicon	Rear	Dana 44™	Standard Diff	2008572
Wrangler JK Non-Rubicon	Rear	Dana 44™	Trac-Lok™ Limited Slip	2008571
Wrangler JK Rubicon	Rear	Dana 44™	Electric Locking Diff	2008559
Wrangler JK Rubicon	Front/Rear	Dana 44™	E-Locker Solenoid Assy.	2005193



WHERE THE RUBBER LEAVES THE ROAD.

Spicer® Front and Rear Axle Shafts for the Jeep® Wrangler JK and JL

Upgraded Dana 30™ and Dana 44™ Axle Shafts for Larger Tires.

Today's Jeep owners are customizing their vehicles with larger tires that stand up to rough terrain. They want larger universal joints and an even stronger axle shaft for their Dana 30™ and Dana 44™ axles. These upgraded front axle shafts deliver with these design improvements:

Upgraded U-joints

- 1350 for JK, 1410 for JL
- 25% higher yield strength
- U-joint sealing package upgraded to Spicer Life Series®

Unparalleled strength and longer life

- Fatigue life improved by 300%
- 2000% improvement in high-angle fatigue life



Upgrades made to Dana 30 and Dana 44 axles

- Designed for larger tires and off-road use

Outer stub design re-engineered for added strength

- Improved snap retention for increased shock loading
- Material added to yoke ears and removed from body to equalize deflection through yoke and reduce bearing cap spinning
- Micro-alloy improves strength of shaft
- Statistically controlled heat treatment ensures proper hardness

For more information on genuine Spicer nickel chromoly axle shafts, see page 18 and 19 of this catalog.



Made in USA

2007-2018 WRANGLER JK (NON RUBICON)

Front Axle	Right Part #	Left Part #
Dana 30™	2014616-2	2014616-1
Rear Axle	Right Part #	Left Part #
Dana 44™	2004449-1	2004449-1

2007-2018 WRANGLER JK (RUBICON)

Front Axle	Right Part #	Left Part #
Dana 44™	2014169-2	2014169-1
Rear Axle	Right Part #	Left Part #
Dana 44™	2004785-3	2004785-2

2018 AND NEWER JL

Front Axle	Right Part #	Left Part #
Dana 30™	10025729	10025732
Dana 44™ AdvanTEK® Standard Diff	10025729	10025731
Dana 44™ AdvanTEK® Standard Diff Wide Track E-Locker	10027942	10027941

Spicer® E-Locker Solenoid for the Jeep® Wrangler JK

Replace Your Failed Component—On Demand.

Spicer E-Locker solenoids deliver the quality that original equipment manufacturers demand. It's the same quality Jeep enthusiasts depend on to take on any obstacle that crosses their path.



Spicer® Bearing Kits for the Jeep® Wrangler JK and JL

Not All Bearings Are Created Equal.



DANA 44™ E-LOCKER SOLENOID

Year	Make	Model	Axle	Location	Spicer Part #
2007-2018	Jeep	Wrangler JK Rubicon w/OEM Electronic Locker	Dana 44™	F/R	2005193

BEARING KITS FOR JK

Application Summary	Axle Model	Position	Std. Diff Rebuild Kit Part #	Master Overhaul Kit Part #
2007-2018 Wrangler JK Non-Rubicon	Dana 30™	Front	2017366	2017378
2007-2018 Wrangler JK Rubicon	Dana 44™	Front	2017088	2017106
2007-2018 Wrangler JK Non-Rubicon	Dana 44™	Rear	2017086	2017102
2007 Wrangler JK Rubicon	Dana 44™	Rear	2017087	2017103
2007-2018 Wrangler JK Non-Rubicon	Dana 44™	Rear	2017086	2017109
2008-2018 Wrangler JK Rubicon	Dana 44™	Rear	2017087	2017110

BEARING KITS FOR JL

Application Summary	Axle Model	Position	Std. Diff Rebuild Kit Part #	Master Overhaul Kit Part #
2018 and Newer Jeep Wrangler JL	Dana 30™	Front	10040312	10040313
2018 and Newer Jeep Wrangler JL	Dana 35™ AdvanTEK®	Rear	10040451	10040452
2018 and Newer Jeep Wrangler JL	Dana 44™ AdvanTEK®	Front	10040468	10040469
2018 and Newer Jeep Wrangler JL	Dana 44™ AdvanTEK®	Rear	10040477	10040478

Description	Part #
Spicer Bearing Puller Tool Kit	10127173



Advantek® Axle Upgrade Packages for Gladiator JT



SPICER® BUNDLE FOR THE GLADIATOR JT 4.10 RATIO

	Description	Axle Model	Spicer Part #
	Drive Axle Assembly	Ultimate Dana 44™ AdvanTEK® Front Axle	10047715
	Spicer® Ring & Pinion	Dana 44™ AdvanTEK® Rear	10062033
Rear	Performance Diff Cover - Gray	Dana 44™ AdvanTEK® Rear	10040651*
	Master Overhaul Kit	Dana 44™ AdvanTEK® Rear	10040478

* Current bundles above include gray diff cover. Blue diff cover option available. See page 30.

SPICER® BUNDLE FOR THE GLADIATOR JT 4.56 RATIO

	Description	Axle Model	Spicer Part #
	Drive Axle Assembly	Ultimate Dana 44™ AdvanTEK® Front	10047716
	Spicer® Ring & Pinion	Dana 44™ AdvanTEK® Rear	10067141
Rear	Performance Diff Cover - Gray	Dana 44™ AdvanTEK® Rear	10040651*
	Master Overhaul Kit	Dana 44™ AdvanTEK® Rear	10040478

* Current bundles above include gray diff cover. Blue diff cover option available. See page 30.

SPICER® BUNDLE FOR THE GLADIATOR JT 4.88 RATIO

	Description	Axle Model	Spicer Part #
	Drive Axle Assembly	Ultimate Dana 44™ AdvanTEK® Front	10047717
	Spicer® Ring & Pinion	Dana 44™ AdvanTEK® Rear	10073110
Rear	Performance Diff Cover - Gray	Dana 44™ AdvanTEK® Rear	10040651*
	Master Overhaul Kit	Dana 44™ AdvanTEK® Rear	10040478

* Current bundles above include gray diff cover. Blue diff cover option available. See page 30.

SPICER® BUNDLE FOR THE GLADIATOR JT 5.13 RATIO

	Description	Axle Model	Spicer Part #
	Drive Axle Assembly	Ultimate Dana 44™ AdvanTEK® Front	10047718
	Spicer® Ring & Pinion	Dana 44™ AdvanTEK® Rear	10067157
Rear	Performance Diff Cover - Gray	Dana 44™ AdvanTEK® Rear	10040651*
	Master Overhaul Kit	Dana 44™ AdvanTEK® Rear	10040478

* Current bundles above include gray diff cover. Blue diff cover option available. See page 30.

SPICER® BUNDLE FOR THE GLADIATOR JT 5.38 RATIO

	Description	Axle Model	Spicer Part #
	Drive Axle Assembly	Ultimate Dana 44™ AdvanTEK® Front	10047719
	Spicer® Ring & Pinion	Dana 44™ AdvanTEK® Rear	10067204
Rear	Performance Diff Cover - Gray	Dana 44™ AdvanTEK® Rear	10040651*
	Master Overhaul Kit	Dana 44™ AdvanTEK® Rear	10040478

* Current bundles above include gray diff cover. Blue diff cover option available. See page 30.

SPICER® BUNDLE FOR THE GLADIATOR JT 3.73 RATIO

	Description	QTY	Axle Model	Spicer Part #
Front	Spicer® Ring & Pinion	1	Dana 44™ AdvanTEK® Front	10046055
	Performance Diff Cover - Gray	1	Dana 44™ AdvanTEK® Front	10044799*
	Master Overhaul Kit	1	Dana 44™ AdvanTEK® Front	10040469
Rear	Spicer® Ring & Pinion	1	Dana 44™ AdvanTEK® Rear	10062017
	Performance Diff Cover - Gray	1	Dana 44™ AdvanTEK® Rear	10040651*
	Master Overhaul Kit	1	Dana 44™ AdvanTEK® Rear	10040478

SPICER® BUNDLE FOR THE GLADIATOR JT 4.56 RATIO

	Description	QTY	Axle Model	Spicer Part #
Front	Spicer® Ring & Pinion	1	Dana 44™ AdvanTEK® Front	10050939
	Performance Diff Cover - Gray	1	Dana 44™ AdvanTEK® Front	10044799*
	Master Overhaul Kit	1	Dana 44™ AdvanTEK® Front	10040469
Rear	Spicer® Ring & Pinion	1	Dana 44™ AdvanTEK® Rear	10067141
	Performance Diff Cover - Gray	1	Dana 44™ AdvanTEK® Rear	10040651*
	Master Overhaul Kit	1	Dana 44™ AdvanTEK® Rear	10040478

SPICER® BUNDLE FOR THE GLADIATOR JT 5.13 RATIO

	Description	QTY	Axle Model	Spicer Part #
Front	Spicer® Ring & Pinion	1	Dana 44™ AdvanTEK® Front	10051004
	Performance Diff Cover - Gray	1	Dana 44™ AdvanTEK® Front	10044799*
	Master Overhaul Kit	1	Dana 44™ AdvanTEK® Front	10040469
Rear	Spicer® Ring & Pinion	1	Dana 44™ AdvanTEK® Rear	10067157
	Performance Diff Cover - Gray	1	Dana 44™ AdvanTEK® Rear	10040651*
	Master Overhaul Kit	1	Dana 44™ AdvanTEK® Rear	10040478

* Current bundles above include gray diff cover. Blue diff cover option available. See page 30.

SPICER® BUNDLE FOR THE GLADIATOR JT 4.10 RATIO

	Description	QTY	Axle Model	Spicer Part #
Front	Spicer® Ring & Pinion	1	Dana 44™ AdvanTEK® Front	10006435
	Performance Diff Cover - Gray	1	Dana 44™ AdvanTEK® Front	10044799*
	Master Overhaul Kit	1	Dana 44™ AdvanTEK® Front	10040469
Rear	Spicer® Ring & Pinion	1	Dana 44™ AdvanTEK® Rear	10062033
	Performance Diff Cover - Gray	1	Dana 44™ AdvanTEK® Rear	10040651*
	Master Overhaul Kit	1	Dana 44™ AdvanTEK® Rear	10040478

SPICER® BUNDLE FOR THE GLADIATOR JT 4.88 RATIO

	Description	QTY	Axle Model	Spicer Part #
Front	Spicer® Ring & Pinion	1	Dana 44™ AdvanTEK® Front	10051746
	Performance Diff Cover - Gray	1	Dana 44™ AdvanTEK® Front	10044799*
	Master Overhaul Kit	1	Dana 44™ AdvanTEK® Front	10040469
Rear	Spicer® Ring & Pinion	1	Dana 44™ AdvanTEK® Rear	10073110
	Performance Diff Cover - Gray	1	Dana 44™ AdvanTEK® Rear	10040651*
	Master Overhaul Kit	1	Dana 44™ AdvanTEK® Rear	10040478

SPICER® BUNDLE FOR THE GLADIATOR JT 5.38 RATIO

	Description	QTY	Axle Model	Spicer Part #
Front	Spicer® Ring & Pinion	1	Dana 44™ AdvanTEK® Front	10050979
	Performance Diff Cover - Gray	1	Dana 44™ AdvanTEK® Front	10044799*
	Master Overhaul Kit	1	Dana 44™ AdvanTEK® Front	10040469
Rear	Spicer® Ring & Pinion	1	Dana 44™ AdvanTEK® Rear	10067204
	Performance Diff Cover - Gray	1	Dana 44™ AdvanTEK® Rear	10040651*
	Master Overhaul Kit	1	Dana 44™ AdvanTEK® Rear	10040478



Spicer® Ring & Pinion Upgrade Bundles for 2020 and Newer Jeep® Gladiator JT with Dana 44™ AdvanTEK® Axles

Get your Jeep Gladiator JT ready to venture off the beaten path with bigger, heavier off-road tires and you'll need larger ring and pinion gearing to match. Dana 44™ AdvanTEK® axles can help you avoid premature part wear and handle higher torque loads, and Dana offers convenient bundles so you can complete the job and hit the trails. The resources found at [SpicerParts.com/Calculators](https://www.spicerparts.com/calculators) can also help you figure out just what you'll need.

THE **ULTIMATE**

Advantek® Axle Upgrade Packages for Wrangler JL



SPICER® BUNDLE FOR THE JL NON-RUBICON 4.10 RATIO*

	Description	Axle Model	Spicer Part #
	Drive Axle Assembly	Ultimate Dana 44™ AdvanTEK® Front	10047715
Rear	Spicer® Ring & Pinion	Dana 35™ AdvanTEK® Rear	10095819
	Performance Diff Cover- Gray	Dana 35™ AdvanTEK® Rear	10040452**
	Master Overhaul Kit	Dana 35™ AdvanTEK® Rear	10040452

* Also applies to JL Sport/Sahara with Limited Slip Rear Diff

** Current bundles above include gray diff cover. Blue diff cover option available. See page 30.

SPICER® BUNDLE FOR THE JL NON-RUBICON 4.56 RATIO*

	Description	Axle Model	Spicer Part #
	Drive Axle Assembly	Ultimate Dana 44™ AdvanTEK® Front	10047716
Rear	Spicer® Ring & Pinion	Dana 35™ AdvanTEK® Rear	10067221
	Performance Diff Cover- Gray	Dana 35™ AdvanTEK® Rear	10040452**
	Master Overhaul Kit	Dana 35™ AdvanTEK® Rear	10040452

* Also applies to JL Sport/Sahara with Limited Slip Rear Diff

** Current bundles above include gray diff cover. Blue diff cover option available. See page 30.

SPICER® BUNDLE FOR THE JL NON-RUBICON 4.88 RATIO*

	Description	Axle Model	Spicer Part #
	Drive Axle Assembly	Ultimate Dana 44™ AdvanTEK® Front	10047717
Rear	Spicer® Ring & Pinion	Dana 35™ AdvanTEK® Rear	10067231
	Performance Diff Cover- Gray	Dana 35™ AdvanTEK® Rear	10040452**
	Master Overhaul Kit	Dana 35™ AdvanTEK® Rear	10040452

* Also applies to JL Sport/Sahara with Limited Slip Rear Diff

** Current bundles above include gray diff cover. Blue diff cover option available. See page 30.

SPICER® BUNDLE FOR THE JL NON-RUBICON 5.13 RATIO*

	Description	Axle Model	Spicer Part #
	Drive Axle Assembly	Ultimate Dana 44™ AdvanTEK® Front	10047718
Rear	Spicer® Ring & Pinion	Dana 35™ AdvanTEK® Rear	10067244
	Performance Diff Cover- Gray	Dana 35™ AdvanTEK® Rear	10040452**
	Master Overhaul Kit	Dana 35™ AdvanTEK® Rear	10040452

* Also applies to JL Sport/Sahara with Limited Slip Rear Diff

** Current bundles above include gray diff cover. Blue diff cover option available. See page 30.

SPICER® BUNDLE FOR THE JL RUBICON 4.10 RATIO*

	Description	Axle Model	Spicer Part #
	Drive Axle Assembly	Ultimate Dana 44™ AdvanTEK® Front Axle	10047715
Rear	Spicer® Ring & Pinion	Dana 44™ AdvanTEK® Rear	10062033
	Performance Diff Cover- Gray	Dana 44™ AdvanTEK® Rear	10040651**
	Master Overhaul Kit	Dana 44™ AdvanTEK® Rear	10040478

* Also applies to JL Sport/Sahara with Limited Slip Rear Diff

** Current bundles above include gray diff cover. Blue diff cover option available. See page 30.

SPICER® BUNDLE FOR THE JL RUBICON 4.56 RATIO*

	Description	Axle Model	Spicer Part #
	Drive Axle Assembly	Ultimate Dana 44™ AdvanTEK® Front	10047716
Rear	Spicer® Ring & Pinion	Dana 44™ AdvanTEK® Rear	10067141
	Performance Diff Cover- Gray	Dana 44™ AdvanTEK® Rear	10040651**
	Master Overhaul Kit	Dana 44™ AdvanTEK® Rear	10040478

* Also applies to JL Sport/Sahara with Limited Slip Rear Diff

** Current bundles above include gray diff cover. Blue diff cover option available. See page 30.

SPICER® BUNDLE FOR THE JL RUBICON 4.88 RATIO*

	Description	Axle Model	Spicer Part #
	Drive Axle Assembly	Ultimate Dana 44™ AdvanTEK® Front	10047717
Rear	Spicer® Ring & Pinion	Dana 44™ AdvanTEK® Rear	10073110
	Performance Diff Cover- Gray	Dana 44™ AdvanTEK® Rear	10040651**
	Master Overhaul Kit	Dana 44™ AdvanTEK® Rear	10040478

* Also applies to JL Sport/Sahara with Limited Slip Rear Diff

** Current bundles above include gray diff cover. Blue diff cover option available. See page 30.

SPICER® BUNDLE FOR THE JL RUBICON 5.13 RATIO*

	Description	Axle Model	Spicer Part #
	Drive Axle Assembly	Ultimate Dana 44™ AdvanTEK® Front	10047718
Rear	Spicer® Ring & Pinion	Dana 44™ AdvanTEK® Rear	10067157
	Performance Diff Cover- Gray	Dana 44™ AdvanTEK® Rear	10040651**
	Master Overhaul Kit	Dana 44™ AdvanTEK® Rear	10040478

* Also applies to JL Sport/Sahara with Limited Slip Rear Diff

** Current bundles above include gray diff cover. Blue diff cover option available. See page 30.

SPICER® BUNDLE FOR THE JL RUBICON 5.38 RATIO*

	Description	Axle Model	Spicer Part #
	Drive Axle Assembly	Ultimate Dana 44™ AdvanTEK® Front	10047719
Rear	Spicer® Ring & Pinion	Dana 44™ AdvanTEK® Rear	10067204
	Performance Diff Cover - Gray	Dana 44™ AdvanTEK® Rear	10040651**
	Master Overhaul Kit	Dana 44™ AdvanTEK® Rear	10040478

* Also applies to JL Sport/Sahara with Limited Slip Rear Diff

** Current bundles above include gray diff cover. Blue diff cover option available. See page 30.



GO YOUR OWN WAY.

Spicer® Ring & Pinion Upgrade Bundles for 2018 and Newer Jeep® JL with Dana 44™ Advantek® Axles

The Wrangler JL continues the legendary Jeep story – and as throughout Jeep history, Dana is a trusted partner as both the OE and aftermarket drivetrain components manufacturer. If you're upgrading to a Dana 44™ AdvanTEK® axle on your JL to accommodate an increase in tire size, look for your ratio here, and then discover the additional components you'll need to finish the job. For help, check out our calculators at [SpicerParts.com/Calculators](https://www.spicerparts.com/calculators).

SPICER® BUNDLE FOR THE JL RUBICON 3.73 RATIO

	Description	QTY	Axle Model	Spicer Part #
Front	Spicer® Ring & Pinion	1	Dana 44™ AdvanTEK® Front	10046055
	Performance Diff Cover - Gray	1	Dana 44™ AdvanTEK® Front	10044799*
	Master Overhaul Kit	1	Dana 44™ AdvanTEK® Front	10040469
Rear	Spicer® Ring & Pinion	1	Dana 44™ AdvanTEK® Rear	10062017
	Performance Diff Cover - Gray	1	Dana 44™ AdvanTEK® Rear	10040651*
	Master Overhaul Kit	1	Dana 44™ AdvanTEK® Rear	10040478

SPICER® BUNDLE FOR THE JL RUBICON 4.10 RATIO

	Description	QTY	Axle Model	Spicer Part #
Front	Spicer® Ring & Pinion	1	Dana 44™ AdvanTEK® Front	10006435
	Performance Diff Cover - Gray	1	Dana 44™ AdvanTEK® Front	10044799*
	Master Overhaul Kit	1	Dana 44™ AdvanTEK® Front	10040469
Rear	Spicer® Ring & Pinion	1	Dana 44™ AdvanTEK® Rear	10062033
	Performance Diff Cover - Gray	1	Dana 44™ AdvanTEK® Rear	10040651*
	Master Overhaul Kit	1	Dana 44™ AdvanTEK® Rear	10040478

SPICER® BUNDLE FOR THE JL RUBICON 4.56 RATIO

	Description	QTY	Axle Model	Spicer Part #
Front	Spicer® Ring & Pinion	1	Dana 44™ AdvanTEK® Front	10050939
	Performance Diff Cover - Gray	1	JDana 44™ AdvanTEK® Front	10044799*
	Master Overhaul Kit	1	Dana 44™ AdvanTEK® Front	10040469
Rear	Spicer® Ring & Pinion	1	Dana 44™ AdvanTEK® Rear	10067141
	Performance Diff Cover - Gray	1	Dana 44™ AdvanTEK® Rear	10040651*
	Master Overhaul Kit	1	Dana 44™ AdvanTEK® Rear	10040478

SPICER® BUNDLE FOR THE JL RUBICON 4.88 RATIO

	Description	QTY	Axle Model	Spicer Part #
Front	Spicer® Ring & Pinion	1	Dana 44™ AdvanTEK® Front	10051746
	Performance Diff Cover - Gray	1	Dana 44™ AdvanTEK® Front	10044799*
	Master Overhaul Kit	1	Dana 44™ AdvanTEK® Front	10040469
Rear	Spicer® Ring & Pinion	1	Dana 44™ AdvanTEK® Rear	10073110
	Performance Diff Cover - Gray	1	Dana 44™ AdvanTEK® Rear	10040651*
	Master Overhaul Kit	1	Dana 44™ AdvanTEK® Rear	10040478

SPICER® BUNDLE FOR THE JL RUBICON 5.13 RATIO

	Description	QTY	Axle Model	Spicer Part #
Front	Spicer® Ring & Pinion	1	Dana 44™ AdvanTEK® Front	10051004
	Performance Diff Cover - Gray	1	Dana 44™ AdvanTEK® Front	10044799*
	Master Overhaul Kit	1	Dana 44™ AdvanTEK® Front	10040469
Rear	Spicer® Ring & Pinion	1	Dana 44™ AdvanTEK® Rear	10067157
	Performance Diff Cover - Gray	1	Dana 44™ AdvanTEK® Rear	10040651*
	Master Overhaul Kit	1	Dana 44™ AdvanTEK® Rear	10040478

* Current bundles above include gray diff cover. Blue diff cover option available. See page 30.

SPICER® BUNDLE FOR THE JL RUBICON 5.38 RATIO

	Description	QTY	Axle Model	Spicer Part #
Front	Spicer® Ring & Pinion	1	Dana 44™ AdvanTEK® Front	10050979
	Performance Diff Cover - Gray	1	Dana 44™ AdvanTEK® Front	10044799*
	Master Overhaul Kit	1	Dana 44™ AdvanTEK® Front	10040469
Rear	Spicer® Ring & Pinion	1	Dana 44™ AdvanTEK® Rear	10067204
	Performance Diff Cover - Gray	1	Dana 44™ AdvanTEK® Rear	10040651*
	Master Overhaul Kit	1	Dana 44™ AdvanTEK® Rear	10040478



Axle Upgrade Packages for 2007-2018 Rubicon Jeep® Wrangler JK



Upgrading to an Ultimate Dana 44™ axle on your JK? You'll need to upgrade your rear axle as well. Look for your ratio here, and you'll find the additional components you need to finish the job. Once you increase your tire size, you'll need to ensure the correct axle ratio and gear ratio to help you achieve the amount of torque and optimal mileage you're looking for. Check out our free calculators today at SpicerParts.com/Calculators.

SPICER® BUNDLE FOR THE JK RUBICON 5.38 RATIO

	Description	Axle Model	Spicer Part #
	Drive Axle Assembly	Ultimate Dana 44™ Front	10010742
	Spicer® Ring & Pinion	Dana 44™ Rear	10027182
Rear	Performance Diff Cover - Gray	Dana 44™	10023536**
	Master Overhaul Kit	2008-2018 Wrangler JK Non-Rubicon Dana 44™ Rear	2010110*

* 2007 model year required Master Overhaul Kit PN# 2017103
 ** Current bundles above include gray diff cover. Blue diff cover option available. See page 30.

SPICER® BUNDLE FOR THE JK RUBICON 5.13 RATIO

	Description	Axle Model	Spicer Part #
	Drive Axle Assembly	Ultimate Dana 44™ Front	10010522
	Spicer® Ring & Pinion	Dana 44™ Rear	2018756
Rear	Performance Diff Cover - Gray	Dana 44™	10023536**
	Master Overhaul Kit	2008-2018 Wrangler JK Non-Rubicon Dana 44™ Rear	2010110*

* 2007 model year required Master Overhaul Kit PN# 2017103
 ** Current bundles above include gray diff cover. Blue diff cover option available. See page 30.

SPICER® BUNDLE FOR THE JK RUBICON 4.88 RATIO

	Description	Axle Model	Spicer Part #
	Drive Axle Assembly	Ultimate Dana 44™ Front	10010521
	Spicer® Ring & Pinion	Dana 44™ Rear	2018747
Rear	Performance Diff Cover - Gray	Dana 44™	10023536**
	Master Overhaul Kit	2008-2018 Wrangler JK Non-Rubicon Dana 44™ Rear	2010110*

* 2007 model year required Master Overhaul Kit PN# 2017103
 ** Current bundles above include gray diff cover. Blue diff cover option available. See page 30.

SPICER® BUNDLE FOR THE JK RUBICON 4.56 RATIO

	Description	Axle Model	Spicer Part #
	Drive Axle Assembly	Ultimate Dana 44™ Front	10010520
	Spicer® Ring & Pinion	Dana 44™ Rear	2018737
Rear	Performance Diff Cover - Gray	Dana 44™	10023536**
	Master Overhaul Kit	2008-2018 Wrangler JK Non-Rubicon Dana 44™ Rear	2010110*

* 2007 model year required Master Overhaul Kit PN# 2017103
 ** Current bundles above include gray diff cover. Blue diff cover option available. See page 30.

SPICER® BUNDLE FOR THE JK RUBICON 4.10 RATIO

	Description	Axle Model	Spicer Part #
	Drive Axle Assembly	Ultimate Dana 44™ Front	10010455
	Spicer® Ring & Pinion	Dana 44™ Rear	2007772
Rear	Performance Diff Cover - Gray	Dana 44™	10023536**
	Master Overhaul Kit	2008-2018 Wrangler JK Non-Rubicon Dana 44™ Rear	2010110*

* 2007 model year required Master Overhaul Kit PN# 2017103
 ** Current bundles above include gray diff cover. Blue diff cover option available. See page 30.

SPICER® BUNDLE FOR THE JK RUBICON 3.73 RATIO

	Description	Axle Model	Spicer Part #
	Drive Axle Assembly	Ultimate Dana 44™ Front	10010519
	Spicer® Ring & Pinion	Dana 44™ Rear	2008688
Rear	Performance Diff Cover - Gray	Dana 44™	10023536**
	Master Overhaul Kit	2008-2018 Wrangler JK Non-Rubicon Dana 44™ Rear	2010110*

* 2007 model year required Master Overhaul Kit PN# 2017103
 ** Current bundles above include gray diff cover. Blue diff cover option available. See page 30.



Axle Upgrade Packages for 2007-2018 Non-Rubicon Jeep® Wrangler JK

SPICER® BUNDLE FOR THE JK NON-RUBICON 5.38 RATIO

	Description	Axle Model	Spicer Part #
	Drive Axle Assembly	Ultimate Dana 44™ Front	10010742
	Spicer® Ring & Pinion	Dana 44™ Rear	10027182
Rear	Performance Diff Cover - Gray	Dana 44™	10023536**
	Master Overhaul Kit	2008-2018 Wrangler JK Non-Rubicon Dana 44™ Rear	2017109*

* 2007 model year required Master Overhaul Kit PN# 2017102
 ** Current bundles above include gray diff cover. Blue diff cover option available. See page 30.

SPICER® BUNDLE FOR THE JK NON-RUBICON 5.13 RATIO

	Description	Axle Model	Spicer Part #
	Drive Axle Assembly	Ultimate Dana 44™ Front	10010522
	Spicer® Ring & Pinion	Dana 44™ Rear	2018756
Rear	Performance Diff Cover - Gray	Dana 44™	10023536**
	Master Overhaul Kit	2008-2018 Wrangler JK Non-Rubicon Dana 44™ Rear	2017109*

* 2007 model year required Master Overhaul Kit PN# 2017102
 ** Current bundles above include gray diff cover. Blue diff cover option available. See page 30.

SPICER® BUNDLE FOR THE JK NON-RUBICON 4.88 RATIO

	Description	Axle Model	Spicer Part #
	Drive Axle Assembly	Ultimate Dana 44™ Front	10010521
	Spicer® Ring & Pinion	Dana 44™ Rear	2018747
Rear	Performance Diff Cover - Gray	Dana 44™	10023536**
	Master Overhaul Kit	2008-2018 Wrangler JK Non-Rubicon Dana 44™ Rear	2017109*

* 2007 model year required Master Overhaul Kit PN# 2017102
 ** Current bundles above include gray diff cover. Blue diff cover option available. See page 30.

SPICER® BUNDLE FOR THE JK NON-RUBICON 4.56 RATIO

	Description	Axle Model	Spicer Part #
	Drive Axle Assembly	Ultimate Dana 44™ Front	10010520
	Spicer® Ring & Pinion	Dana 44™ Rear	2018737
Rear	Performance Diff Cover - Gray	Dana 44™	10023536**
	Master Overhaul Kit	2008-2018 Wrangler JK Non-Rubicon Dana 44™ Rear	2017109*

* 2007 model year required Master Overhaul Kit PN# 2017102
 ** Current bundles above include gray diff cover. Blue diff cover option available. See page 30.

SPICER® BUNDLE FOR THE JK NON-RUBICON 4.10 RATIO

	Description	Axle Model	Spicer Part #
	Drive Axle Assembly	Ultimate Dana 44™ Front	10010455
	Spicer® Ring & Pinion	Dana 44™ Rear	2007772
Rear	Performance Diff Cover - Gray	Dana 44™	10023536**
	Master Overhaul Kit	2008-2018 Wrangler JK Non-Rubicon Dana 44™ Rear	2017109*

* 2007 model year required Master Overhaul Kit PN# 2017102
 ** Current bundles above include gray diff cover. Blue diff cover option available. See page 30.

SPICER® BUNDLE FOR THE JK NON-RUBICON 3.73 RATIO

	Description	Axle Model	Spicer Part #
	Drive Axle Assembly	Ultimate Dana 44™ Front	10010519
	Spicer® Ring & Pinion	Dana 44™ Rear	2008688
Rear	Performance Diff Cover - Gray	Dana 44™	10023536**
	Master Overhaul Kit	2008-2018 Wrangler JK Non-Rubicon Dana 44™ Rear	2017109*

* 2007 model year required Master Overhaul Kit PN# 2017102
 ** Current bundles above include gray diff cover. Blue diff cover option available. See page 30.

Spicer® Ring & Pinion Upgrade Bundles for 2007-2018 Jeep® Rubicon JK

Dana has provided its drivetrain expertise to Jeep manufacturing since 1941. We know Jeeps—we know their specifications, and we know the people who have made Jeep synonymous with adventure. As Jeep enthusiasts upgrade their axles to accommodate larger tires, Dana understands the range of parts needed to make that modification successful. That's why we've engineered a range of ring and pinion sets to match these axle ratios.



Spicer® Ring & Pinion Upgrade Bundles for 2007-2018 Non-Rubicon JK

SPICER® BUNDLE FOR THE JK RUBICON 3.73 RATIO

	Description	QTY	Axle Model	Spicer Part #
Front	Spicer® Ring & Pinion	1	Dana 44™ Front	2013742-5
	Performance Diff Cover - Gray	1	Dana 44™ Front	10023536**
	Master Overhaul Kit	1	Dana 44™ Front	2017106
Rear	Spicer® Ring & Pinion	1	Dana 44™ Rear	2008688
	Performance Diff Cover - Gray	1	Dana 44™ Rear	10023536**
	Master Overhaul Kit	1	Dana 44™ Rear	2010110*

* 2007 model year required Master Overhaul Kit PN# 2017103

** Current bundles above include grey diff cover. Blue diff cover option available. See page 30.

SPICER® BUNDLE FOR THE JK RUBICON 4.88 RATIO

	Description	QTY	Axle Model	Spicer Part #
Front	Spicer® Ring & Pinion	1	Dana 44™ Front	2019749
	Performance Diff Cover - Gray	1	Dana 44™ Front	10023536**
	Master Overhaul Kit	1	Dana 44™ Front	2017106
Rear	Spicer® Ring & Pinion	1	Dana 44™ Rear	2018737
	Performance Diff Cover - Gray	1	Dana 44™ Rear	10023536**
	Master Overhaul Kit	1	Dana 44™ Rear	2010110*

* 2007 model year required Master Overhaul Kit PN# 2017103

** Current bundles above include grey diff cover. Blue diff cover option available. See page 30.

SPICER® BUNDLE FOR THE JK NON-RUBICON 3.73 RATIO

	Description	QTY	Axle Model	Spicer Part #
Front	Spicer® Ring & Pinion	1	Dana 30™ Front	2005021-5
	Performance Diff Cover - Gray	1	Dana 30™ Front	10023534**
	Master Overhaul Kit	1	Dana 30™ Front	2017378
Rear	Spicer® Ring & Pinion	1	Dana 44™ Rear	2008688
	Performance Diff Cover - Gray	1	Dana 44™ Rear	10023536**
	Master Overhaul Kit	1	Dana 44™ Rear	2017109*

* 2007 model year required Master Overhaul Kit PN# 2017102

** Current bundles above include grey diff cover. Blue diff cover option available. See page 30.

SPICER® BUNDLE FOR THE JK NON-RUBICON 4.88 RATIO

	Description	QTY	Axle Model	Spicer Part #
Front	Spicer® Ring & Pinion	1	Dana 30™ Front	10026639
	Performance Diff Cover - Gray	1	Dana 30™ Front	10023534**
	Master Overhaul Kit	1	Dana 30™ Front	2017378
Rear	Spicer® Ring & Pinion	1	Dana 44™ Rear	2018747
	Performance Diff Cover - Gray	1	Dana 44™ Rear	10023536**
	Master Overhaul Kit	1	Dana 44™ Rear	2017109*

* 2007 model year required Master Overhaul Kit PN# 2017102

** Current bundles above include grey diff cover. Blue diff cover option available. See page 30.

SPICER® BUNDLE FOR THE JK RUBICON 4.10 RATIO

	Description	QTY	Axle Model	Spicer Part #
Front	Spicer® Ring & Pinion	1	Dana 44™ Front	2005024-5
	Performance Diff Cover - Gray	1	Dana 44™ Front	10023536**
	Master Overhaul Kit	1	Dana 44™ Front	2017106
Rear	Spicer® Ring & Pinion	1	Dana 44™ Rear	2007772
	Performance Diff Cover - Gray	1	Dana 44™ Rear	10023536**
	Master Overhaul Kit	1	Dana 44™ Rear	2010110*

* 2007 model year required Master Overhaul Kit PN# 2017103

** Current bundles above include grey diff cover. Blue diff cover option available. See page 30.

SPICER® BUNDLE FOR THE JK RUBICON 5.13 RATIO

	Description	QTY	Axle Model	Spicer Part #
Front	Spicer® Ring & Pinion	1	Dana 44™ Front	2019752
	Performance Diff Cover - Gray	1	Dana 44™ Front	10023536**
	Master Overhaul Kit	1	Dana 44™ Front	2017106
Rear	Spicer® Ring & Pinion	1	Dana 44™ Rear	2018756
	Performance Diff Cover - Gray	1	Dana 44™ Rear	10023536**
	Master Overhaul Kit	1	Dana 44™ Rear	2010110*

* 2007 model year required Master Overhaul Kit PN# 2017103

** Current bundles above include grey diff cover. Blue diff cover option available. See page 30.

SPICER® BUNDLE FOR THE JK NON-RUBICON 4.10 RATIO

	Description	QTY	Axle Model	Spicer Part #
Front	Spicer® Ring & Pinion	1	Dana 30™ Front	2005027-5
	Performance Diff Cover - Gray	1	Dana 30™ Front	10023534**
	Master Overhaul Kit	1	Dana 30™ Front	2017378
Rear	Spicer® Ring & Pinion	1	Dana 44™ Rear	2007772
	Performance Diff Cover - Gray	1	Dana 44™ Rear	10023536**
	Master Overhaul Kit	1	Dana 44™ Rear	2017109*

* 2007 model year required Master Overhaul Kit PN# 2017102

** Current bundles above include grey diff cover. Blue diff cover option available. See page 30.

SPICER® BUNDLE FOR THE JK NON-RUBICON 5.13 RATIO

	Description	QTY	Axle Model	Spicer Part #
Front	Spicer® Ring & Pinion	1	Dana 30™ Front	10026642
	Performance Diff Cover - Gray	1	Dana 30™ Front	10023534**
	Master Overhaul Kit	1	Dana 30™ Front	2017378
Rear	Spicer® Ring & Pinion	1	Dana 44™ Rear	2018756
	Performance Diff Cover - Gray	1	Dana 44™ Rear	10023536**
	Master Overhaul Kit	1	Dana 44™ Rear	2017109*

* 2007 model year required Master Overhaul Kit PN# 2017102

** Current bundles above include grey diff cover. Blue diff cover option available. See page 30.

SPICER® BUNDLE FOR THE JK RUBICON 4.56 RATIO

	Description	QTY	Axle Model	Spicer Part #
Front	Spicer® Ring & Pinion	1	Dana 44™ Front	2019746
	Performance Diff Cover - Gray	1	Dana 44™ Front	10023536**
	Master Overhaul Kit	1	Dana 44™ Front	2017106
Rear	Spicer® Ring & Pinion	1	Dana 44™ Rear	2018737
	Performance Diff Cover - Gray	1	Dana 44™ Rear	10023536**
	Master Overhaul Kit	1	Dana 44™ Rear	2010110*

* 2007 model year required Master Overhaul Kit PN# 2017103

** Current bundles above include grey diff cover. Blue diff cover option available. See page 30.

SPICER® BUNDLE FOR THE JK RUBICON 5.38 RATIO

	Description	QTY	Axle Model	Spicer Part #
Front	Spicer® Ring & Pinion	1	Dana 44™ Front	10010738
	Performance Diff Cover - Gray	1	Dana 44™ Front	10023536**
	Master Overhaul Kit	1	Dana 44™ Front	2017106
Rear	Spicer® Ring & Pinion	1	Dana 44™ Rear	10027182
	Performance Diff Cover - Gray	1	Dana 44™ Rear	10023536**
	Master Overhaul Kit	1	Dana 44™ Rear	2010110*

* 2007 model year required Master Overhaul Kit PN# 2017103

** Current bundles above include grey diff cover. Blue diff cover option available. See page 30.

SPICER® BUNDLE FOR THE JK NON-RUBICON 4.56 RATIO

	Description	QTY	Axle Model	Spicer Part #
Front	Spicer® Ring & Pinion	1	Dana 30™ Front	10026645
	Performance Diff Cover - Gray	1	Dana 30™ Front	10023534**
	Master Overhaul Kit	1	Dana 30™ Front	2017378
Rear	Spicer® Ring & Pinion	1	Dana 44™ Rear	2018737
	Performance Diff Cover - Gray	1	Dana 44™ Rear	10023536**
	Master Overhaul Kit	1	Dana 44™ Rear	2017109*

* 2007 model year required Master Overhaul Kit PN# 2017102

** Current bundles above include grey diff cover. Blue diff cover option available. See page 30.



Spicer® Front Axle Components for Dana 30™ on the Jeep® Wrangler JL

Spicer® Rear Axle Components for Dana 35™ AdvanTEK® on the Jeep® Wrangler JL

Spicer® Front Axle Components for Dana 44™ AdvanTEK® on the Jeep® Wrangler JL

Spicer® Rear Axle Components for Dana 44™ AdvanTEK® on the Jeep® Wrangler JL

Spicer® Front Axle Components for Dana 30™ Axles on the Jeep® Wrangler JK

Spicer® Rear Axle Components for Dana 44™ Axles on the Jeep® Wrangler JK

Spicer® Front Axle Components for Dana 44™ Axles on the Jeep® Wrangler JK

Description	Spicer Part #
Friction Modifier/POSI Additive	43161
RTV Sealant (2.8 oz.)	38615
Inner Pinion Bearing Kit	10062707
Collapsible Spacer	10009299
Outer Pinion Bearing Kit	10062709
Pinion Bearing Slinger - Outer	2005565
Pinion Oil Seal	2014762-1
Pinion Nut	44189
Carrier Cover Bolts	10050881
Differential Bearing Kit	10062385
Ring Gear Bolt	41221
Ring Gear Bolt - Pack of 10	10040448
Companion Flange Assy.	10009253
Transfer Case End Yoke (1310 Series)	10016266*
Transfer Case End Yoke (1350 Series)	10016268*
Axle Shaft Nut (JK/JL)	2008564

* Replaces OE-Style Companion Flange at Transfer Case

Description	Spicer Part #
Friction Modifier/POSI Additive	43161
RTV Sealant (2.8 oz.)	38615
Inner Pinion Bearing Kit	10063491
Outer Pinion Bearing Kit	2014967-2
Pinion Shim Kit	10040465
Differential Bearing Kit	10063464
Differential Shim Kit	10040466
Pinion Oil Seal	2010953-2
Axle Shaft Wheel Bearing	565904
Axle Shaft Wheel Bearing Retainer	10032011
Wheel Seal	2021013-1
Axle Shaft Wheel Stud	10047625
Pinion Nut	2009624
Collapsible Spacer	10008365
Companion Flange Assy.	10020112
Ring Gear Bolts	10008806
Ring Gear Bolts - 10 pk.	10040474
Transfer Case End Yoke (1310 Series)	10016266*
Transfer Case End Yoke (1350 Series)	10016268*

* Replaces OE-Style Companion Flange at Transfer Case

Description	Spicer Part #
RTV Sealant (2.8 oz.)	38615
Friction Modifier/POSI Additive	43161
Inner Pinion Bearing Kit	10071953
Outer Pinion Bearing Kit	10040461
Pinion Shim Kit	10040475
Differential Bearing Kit	10071915
Differential Bearing Shim Kit	10040476
Collapsible Spacer	10008364
Pinion Nut	2009625
Ring Gear Bolts	10008806
Ring Gear Bolts - 10 pk.	10040474
Pinion Oil Seal	10010013
Carrier Cover Bolts	10050881
Carrier Cover Bolts - 12 pk.	10062575
Axle Shaft Nut	2008564
Axle Shaft Snap Ring	10025587
Axle Shaft Tube Guide	10019730
Axle Shaft Deflector	10062341
FAD Removal Spacer Kit	10045078
Companion Flange Assy.	10009588
Transfer Case End Yoke (1310 Series)	10016266*
Transfer Case End Yoke (1350 Series)	10016268*

* Replaces OE-Style Companion Flange at Transfer Case

Description	Spicer Part #
RTV Sealant (2.8 oz.)	38615
Friction Modifier/POSI Additive	43161
Inner Pinion Bearing Kit	10071953
Outer Pinion Bearing Kit	2014578-2
Pinion Bearing Shim Kit	10040475
Differential Bearing Kit	10071915
Differential Bearing Shim Kit	10040476
Collapsible Spacer	10008361
Pinion Seal	10039487
Companion Flange	10020110
Pinion Nut	2009625
Transfer Case End Yoke (1310 Series)	10016266*
Transfer Case End Yoke (1350 Series)	10016268*
Differential Cover Bolts	10050881
Ring Gear Bolts	10008806
Ring Gear Bolts - 10 pk.	10040474
Wheel Bearing Retainer - Narrow Track	10032011
Wheel Bearing Retainer - Wide Track	10032012
Wheel Bearing Assy.	565903-1
Outboard Axle Shaft Seal	10026762
Axle Shaft Bolt	10047625

* Replaces OE-Style Companion Flange at Transfer Case

Description	Spicer Part #
Friction Modifier/POSI Additive	43161
RTV Sealant (2.8 oz.)	38615
Inner Pinion Bearing Kit	707064X
Baffle - Pinion Oil	48741-3
Collapsible Spacer	50614
Outer Pinion Bearing Kit	706015X
Pinion Bearing Slinger - Outer	2005565
Pinion Oil Seal	2004670
Pinion Nut	44189
Carrier Cover Bolts	34279
Differential Bearing Kit	706016X
Ring Gear Bolt	41221
Companion Flange Assy. - Front Axle	2005008
Transfer Case End Yoke (1310 Series)	10016266**
Axle Shaft Nut	2008564
Axle Seal - Original Design	54381
Axle Seal - Upgraded Design	2013455*
Wheel Hub Assembly	10021363

* New design includes integrated axle guide to reduce seal damage during install and three sealing lips compared to one on the original.

** Replaces OE-Style Companion Flange at Transfer Case

Description	Spicer Part #
RTV Sealant (2.8 oz.)	38615
Friction Modifier/POSI Additive	43161
Inner Pinion Bearing Kit	707064X
Outer Pinion Bearing Kit	706123X
Collapsible Spacer	46925
Pinion Thrust Washer	42737
Pinion Seal	2004101
Companion Flange	2004431
Pinion Nut Washer	30275
Pinion Nut	2001153
T-Case Yoke (1310 - 1/2 Round)*	10016266
Differential Cover Bolts	34279
Differential Bearing Shim Kit	2007294
Ring Gear Bolt-7/16" (15/16" Long)	701125-1X
Ring Gear Bolt-7/16" (3/4" Long)	701071-10
Carrier Case Cross Shaft (Std/Trac-Lok™)	703034
Carrier Case Cross Shaft (Std/Trac-Lok™)	47658
Wheel Bearing Retainer	36797
Wheel Bearing Assy.	565903
Outboard Axle Shaft Seal	52765
Axle Shaft Oil Seal Retainer	2004703
Axle Shaft Bolt	2004789

* Replaces OE-Style Companion Flange

Description	Spicer Part #
RTV Sealant (2.8 oz.)	38615
Friction Modifier/POSI Additive	43161
Inner Pinion Bearing Kit	707064X
Baffle - Pinion Oil	48741-3
Collapsible Spacer	50614
Outer Pinion Bearing Kit	706015X
Pinion Bearing Slinger - Outer	2005565
Pinion Oil Seal	2004670
Pinion Nut	44189
Carrier Cover Bolts	34279
Differential Bearing Kit	2007293
Differential Bearing Shim Kit	2007294
Companion Flange Assy. - Front Axle	2005008
Transfer Case End Yoke (1310 Series)	10016266**
Axle Shaft Nut	2008564
Axle Seal - Original Design	54381
Axle Seal - Upgraded Design	2013455*
Wheel Hub Assembly	10021363
Ball Joint Kit (Upper/Lower Per Side)	2007354
Upper Ball Joint	2005838
Lower Ball Joint	2011892
Ring Gear Bolt - 10 Pk	2007292

* New design includes integrated axle guide to reduce seal damage during install and three sealing lips compared to one on the original.

** Replaces OE-Style Companion Flange at Transfer Case

1941

Willys MB



Front: Dana 25™
Rear: Dana 27™

1954
Jeep CJ



Front: Dana 25™
Rear: Dana 44™

1987
Jeep YJ



Front: Dana 30™
Rear: Dana 35™

Non-Rubicon:
Front: Dana 30™
Rear: Dana 44™

Rubicon:
(starting 2003)
Front: Dana 44™
Rear: Dana 44™



1997
Jeep TJ

2007
Jeep JK



Non-Rubicon:
Front: Dana 30™
Rear: Dana 44™

Rubicon:
Front: Dana 44™
Rear: Dana 44™

Forged in Innovation. A Legendary Relationship 75+ Years Strong.

The “Jeep” vehicle concept was born in answer to the U.S. Army’s call for designs of an easily transportable 4x4 general-purpose vehicle during World War II. Willys-Overland was one of the original manufacturers selected to produce the chosen design, with Dana (then the Spicer Manufacturing Company) providing the driveline components for every vehicle. After the war, Willys-Overland began selling civilian versions of the iconic military vehicle, and Dana’s relationship with the Jeep brand has been going strong ever since. It’s a relationship for the ages—forged in continuous improvement and innovation—that is believed to be the longest continuous supply relationship on the same vehicle in automotive history. And we’re just getting started.

TODAY



Jeep® Wrangler JL

Jeep® Gladiator JT



Base Sport or Sahara Models

Front: Dana 30™

Rear: Dana 35™ AdvanTEK®

Rubicon and Select Sport or Sahara
and all Gladiators

Front: Dana 44™ AdvanTEK®

Rear: Dana 44™ AdvanTEK®



#LIVETHESPICERLIFE



LIVE THE SPICER LIFE

Dana Aftermarket Group
Dana Investment GmbH
Reinzstrasse 3-7
89233 Neu-Ulm, Germany

Product Information: SpicerParts.com
E-catalog and parts locator: DanaAftermarket.com



Copyright Dana Limited, 2019. All rights reserved. Dana Limited. The following trademarks are registered trademarks of Dana Limited: Spicer® and Spicer Life Series®. The following are trademarks of Dana Limited: The Ultimate Dana 60®, Dana 60™, The Ultimate Dana 44™, and Dana 44™. WARN® is a registered trademark of Warn Industries, Inc. Jeep®, Wrangler®, Gladiator® and Rubicon® are registered trademarks of FCA US LLC. Eaton® is a trademark of Eaton Corporation. ARB 4x4 Accessories and Air Locker are registered trademarks of ARB Corporation LTD. Walker Evans is a registered trademark of Walker Evans Racing.

Form # DAG-uk-qr-PROD-BRO-02019