

SPICER®



Spicer® Light Duty
Light Vehicle
Series Driveshafts

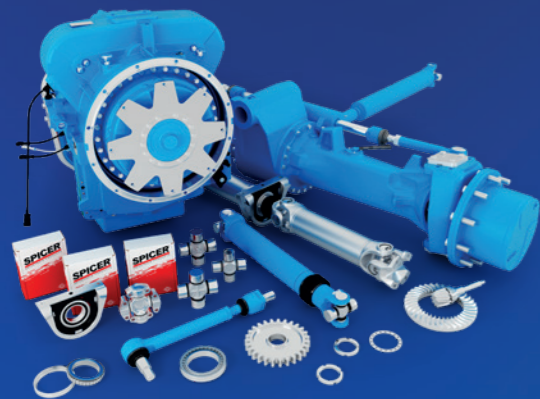


Spicer® – Demand the Best. Demand Genuine Spicer.

For more than a century, the Spicer® name has built a legacy of success with quality drivetrain solutions. Genuine Spicer products are manufactured to the same high standards as Original Equipment because in most cases, they are OE parts. We offer a variety of drivetrain solutions and service parts for light vehicle, commercial vehicle, off-highway, military, industrial, and performance applications.

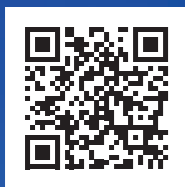
Aftermarket Products

Dana manufactures Spicer driveshafts, axles, transmission parts, and related components for light-vehicle, commercial vehicle, off-highway, military, industrial, and performance applications. This product line includes driveshafts formerly branded as **GWB™** and **Italcardan™** while legacy axle/ transmission marques include **Clark™**, **Clark Hurth™**, **Comaxle™**, **Sige**, and **Kirkstall™**.



Market Applications:

- Light Vehicle
 - Passenger Cars / SUVs / Pickup Trucks / CUVs / Light Commercial Vehicles
- Commercial Vehicle
 - Medium and Heavy Trucks / Buses
- Off-Highway
 - Construction / Agricultural / Forestry / Mining / Material Handling / Industrial



Online Catalog

DanaAftermarket.com



Literature Library

SpicerParts.com/en-emea/literature-library



Service Center Network

SpicerParts.com/en-emea/servicecenters



Facebook

www.facebook.com/SpicerPartsEMEA



YouTube

www.youtube.com/@spiceremea7744



LinkedIn

www.linkedin.com/showcase/spicer-emea

Light Duty Driveshafts

Every original Spicer® driveshaft is designed, engineered, and manufactured by Dana to the highest standards of quality and performance expected by original equipment (OE) manufacturers – because Spicer is THE original equipment manufacturer. Spicer driveshafts provide the top performance, reliability and durability of OE products, in a robust, cost-effective, virtually maintenance-free aftermarket solution.

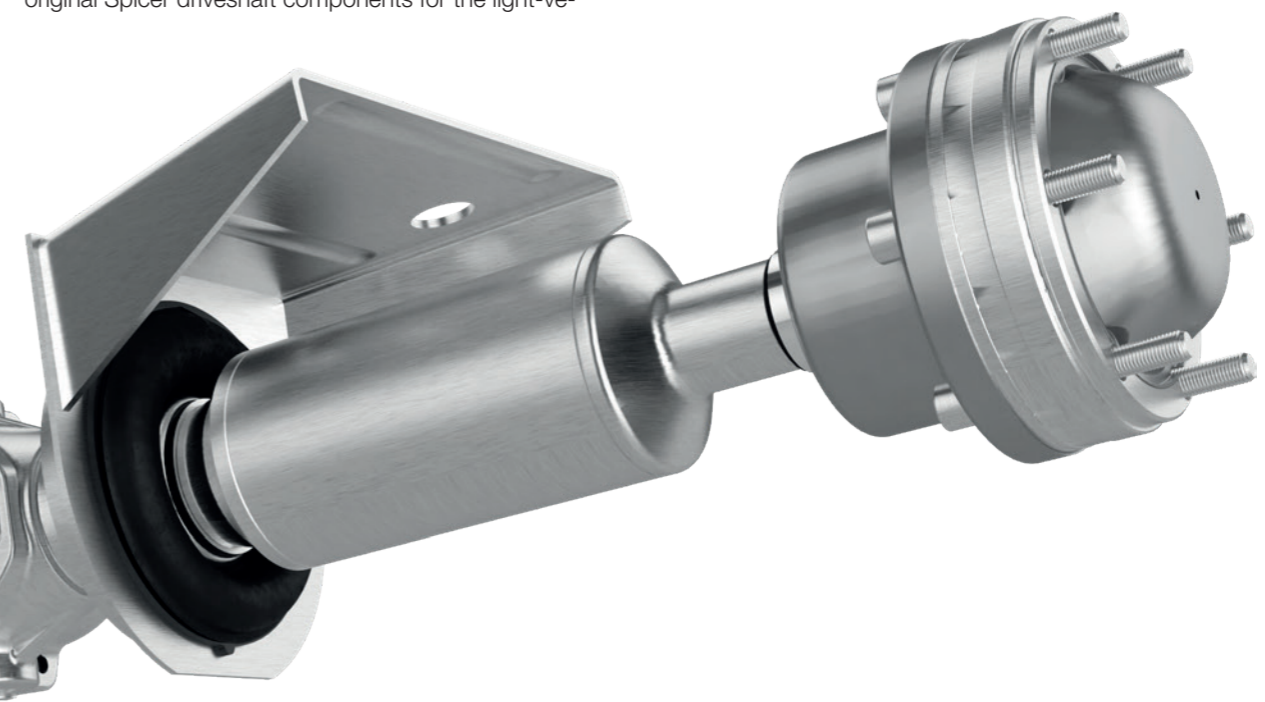
As the global leader in driveline technology, Dana combines its commitment to innovation and original equipment excellence with the quality of its Spicer products to deliver superior solutions that are driving the aftermarket industry.

Spicer Driveshafts for the Light Vehicle Market

Spicer quality light vehicle OE driveshafts and driveshaft components for passenger cars and light trucks are engineered for performance, safety, reduced weight and minimized noise and vibration.

In addition to complete driveshafts, Dana also offers original Spicer driveshaft components for the light-vehicle market, including premium Spicer Life Series® universal joints, which use Dana's highest quality, triple-lip seal and external seal guard to resist the harshest conditions. All driveshaft assemblies and components are manufactured with the highest-quality materials and to OE specifications – which means you can count on the same level of quality that you expect from your OE parts to meet your light vehicle aftermarket needs.

Spicer quality light vehicle OE driveshafts and driveshaft components for passenger cars and light trucks are engineered for performance, safety, reduced weight and minimized noise and vibration.



A complete list of Dana Spicer products for medium-duty vehicle applications is included on the following page. All Spicer products are shipped from Dana's European Distribution Center in Győr, Hungary. To stay up-to-date on Spicer products and news, subscribe to our newsletter **SpicerNews.com**.



DanaAftermarket.com

Spicer Part Number	Part Description	Make	Model	Material for Reference only	Shaft Length (mm)
D-12015-00	Driveshaft	Toyota	Hilux	37100-0K263	1615,1
D-12016-00	Driveshaft	Toyota	Hilux	37100-0K663	1570,1
D-12026-00	Driveshaft	Toyota	Fortuner	37140-0K112	639,5
D-12027-00	Driveshaft	Toyota	Hilux	37140-0K052	569,5
D-12028-00	Driveshaft	Toyota	Hilux	37140-0K062	609,5
D-12029-00	Driveshaft	Toyota	Hilux	37140-0K152	584,5
D-12030-00	Driveshaft	Toyota	Hilux	37140-0K202	654,5
D-12031-00	Driveshaft	Toyota	Hilux	37140-0K131	679,5
D-12032-00	Driveshaft	Toyota	Fortuner	37140-0K231	689,5
D-12033-00	Driveshaft	Toyota	Fortuner	37110-0K043	1295
D-12034-00	Driveshaft	Toyota	Fortuner	37110-0K053	1255
D-12035-00	Driveshaft	Toyota	Fortuner	37110-0K262	1200
D-12036-00	Driveshaft	Toyota	Hilux	37100-0K314	2035,4
D-12037-00	Driveshaft	Toyota	Hilux	37100-0K354	1988,4
D-12038-00	Driveshaft	Toyota	Fortuner	37100-0K364	2010,4
D-12039-00	Driveshaft	Toyota	Fortuner	37100-0K744	1625,4
D-12040-00	Driveshaft	Toyota	Fortuner	37100-0K724	1580,4
D-12041-00	Driveshaft	Toyota	Hilux	37100-0K734	1918,4
D-12042-00	Driveshaft	Toyota	Fortuner	37100-0K384	1651,4
D-12043-00	Driveshaft	Toyota	Hilux	37100-0K754	1964,4
D-12044-00	Driveshaft	Toyota	Hilux	37100-0K324	2035,4
D-12045-00	Driveshaft	Toyota	Hilux	37100-0K374	2035,4
D-12046-00	Driveshaft	Toyota	Hilux	37100-0K434	1988,4
D-12047-00	Driveshaft	Toyota	Hilux	37100-0K674	1988,4
D-12048-00	Driveshaft	Toyota	Hilux	37100-0K253	1668,1
D-12049-00	Driveshaft	Toyota	Hilux	37100-0K273	1656,1
D-12050-00	Driveshaft	Toyota	Hilux	37100-0K713	1554,1
5016911	Center Bearing	Toyota	Hilux / Fortuner	37230-0K050	

Spicer Part Number	Part Description	Make	Model	Material for Reference only	Shaft Length (mm)
D-10025-00	Driveshaft	Nissan	Qashqai	37000-BR51A	1999
D-10026-00	Driveshaft	Nissan	Navara	37200-EB300	808
D-10051-00	Driveshaft	Nissan	Navara	37300-3X32A	1523
D-10052-00	Driveshaft	Nissan	Navara	37300-3X33C	1523
D-10054-00	Driveshaft	Nissan	Qashqai	37000-BR52A	1988
D-10055-00	Driveshaft	Nissan	Terrano II	37200-2X800	655
D-10056-00	Driveshaft	Nissan	Terrano II	37200-2X900	632
D-10068-00	Driveshaft	Nissan	Vanette Cargo	37000-9C503	928,5
D-10069-00	Driveshaft	Nissan	Serena	37000-7C000	738,5
D-10070-00	Driveshaft	Nissan	Serena	37000-7C001	673,5
D-10071-00	Driveshaft	Nissan	Serena	37000-7C002	768,5
D-10072-00	Driveshaft	Nissan	Serena	37000-7C003	833,5
D-10074-00	Driveshaft	Nissan	Trade	37000-F3801	1118,5
D-10085-00	Driveshaft	Nissan	Cabstar - Atleon	37300-F3600	1063
D-10087-00	Driveshaft	Nissan	Cabstar - Atleon	37300-F3901	977
D-10088-00	Driveshaft	Nissan	Cabstar - Atleon	37300-F3900	1557
D-10089-00	Driveshaft	Nissan	Cabstar - Atleon	37300-F3902	1050
D-10090-00	Driveshaft	Nissan	Cabstar - Atleon	37300-F3903	1543
D-10091-00	Driveshaft	Nissan	Cabstar - Atleon	37300-F3904	961
D-10092-00	Driveshaft	Nissan	Cabstar - Atleon	37000-F3905	1094
D-10093-00	Driveshaft	Nissan	Pathfinder III	37300-EB30A	1137
D-10094-00	Driveshaft	Nissan	Cabstar - Atleon	37200-F3901	1076
D-10095-00	Driveshaft	Nissan	Cabstar - Atleon	37000-F3903	1562
D-10100-00	Driveshaft	Nissan	Cabstar - Atleon	37300-9X502	1118
D-10101-00	Driveshaft	Nissan	Cabstar - Atleon	37000-MB820	1877
D-10102-00	Driveshaft	Nissan	Cabstar - Atleon	37000-9X501	1502
D-10103-00	Driveshaft	Nissan	Cabstar - Atleon	37000-9X502	2006
D-10104-00	Driveshaft	Nissan	Cabstar - Atleon	37000-9X605	1833
D-10141-00	Driveshaft	Nissan	Navara	37300-5X30A	1523,1
D-10142-00	Driveshaft	Nissan	Navara	37200-5X30A	808
D-10143-00	Driveshaft	Nissan	Navara	37300-5X31A	1523,1
D-10144-00	Driveshaft	Nissan	Navara	37000-EB32C	1949
D-10145-00	Driveshaft	Nissan	Navara	37000-EB30C	1942

D-10146-00	Driveshaft	Nissan	Qashqai	37000-BR50A	1984
D-10147-00	Driveshaft	Nissan	Qashqai	37000-EY10B	2134
D-10148-00	Driveshaft	Nissan	Qashqai	37000-EY20B	2119
D-10148-00	Driveshaft	Nissan	Qashqai	37000-EY20A	2119
D-10149-00	Driveshaft	Nissan	Terrano II	37300-2X800	1142,5
D-10154-00	Driveshaft	Nissan	Cabstar - Atleon	37000-LC10A	1053
D-10155-00	Driveshaft	Nissan	Cabstar - Atleon	37000-LC11A	985
D-10156-00	Driveshaft	Nissan	Cabstar - Atleon	37000-LC10B	1452
D-10157-00	Driveshaft	Nissan	Cabstar - Atleon	37000-LC10C	1951
D-10158-00	Driveshaft	Nissan	Cabstar - Atleon	37000-LC11B	1383,5
D-10159-00	Driveshaft	Nissan	Cabstar - Atleon	37000-LC11C	1883
D-10160-00	Driveshaft	Nissan	Cabstar - Atleon	37000-F3904	2056
D-10161-00	Driveshaft	Nissan	Cabstar - Atleon	37000-9X606	2231
D-10162-00	Driveshaft	Nissan	Cabstar - Atleon	37000-9X610	1436
D-10163-00	Driveshaft	Nissan	Cabstar - Atleon	37000-9X607	1780
D-10164-00	Driveshaft	Nissan	Cabstar - Atleon	37000-9X608	2177
D-10165-00	Driveshaft	Nissan	Cabstar - Atleon	37000-9X609	2575
D-10166-00	Driveshaft	Nissan	Cabstar - Atleon	37000-9X611	1382
D-10167-00	Driveshaft	Nissan	Cabstar - Atleon	37000-MB810	1377
D-10168-00	Driveshaft	Nissan	Cabstar - Atleon	37000-MB420	1945
D-10169-00	Driveshaft	Nissan	Cabstar - Atleon	37000-MB410	1446
D-10170-00	Driveshaft	Nissan	Cabstar - Atleon	37200-F3603	1226
D-10171-00	Driveshaft	Nissan	Cabstar - Atleon	37300-F3602	1281
D-10172-00	Driveshaft	Nissan	Cabstar - Atleon	37300-F3601	732
D-10173-00	Driveshaft	Nissan	Cabstar - Atleon	37200-F3602	1091
D-10221-00	Driveshaft	Nissan	Cabstar - Atleon	37000-MB910	1367
D-10222-00	Driveshaft	Nissan	Cabstar - Atleon	37000-MB911	1393
D-10223-00	Driveshaft	Nissan	Cabstar - Atleon	37000-MB920	1865
D-10224-00	Driveshaft	Nissan	Cabstar - Atleon	37000-MB921	1892
D-10225-00	Driveshaft	Nissan	Cabstar - Atleon	37000-MB800	979
D-10226-00	Driveshaft	Nissan	Cabstar - Atleon	37000-MB400	1047
4520723	Center Bearing	Nissan	Navara	37522-EB30A	
4520704	Center Bearing	Nissan	Cabstar - Atleon		

Spicer Part Number	Part Description	Make	Model	Material for Reference only	Shaft Length (mm)
B-10002-00	Center Bearing	Mercedes Benz	ML	163 410 00 10	
C-10002-00	U-Joint	Mercedes Benz	ML	163 410 10 01	
D-10133-00	Driveshaft	Mercedes Benz	ML	163 410 01 01	570,7
D-10134-00	Driveshaft	Mercedes Benz	ML	163 410 02 01	696,1
D-10135-00	Driveshaft	Mercedes Benz	ML	163 410 03 01	766
D-10136-00	Driveshaft	Mercedes Benz	ML	163 410 09 01	716,8
D-10200-00	Driveshaft	Mercedes Benz	ML	163 410 04 02	1422,7
D-10201-00	Driveshaft	Mercedes Benz	ML	163 410 12 02	1225,9
D-10202-00	Driveshaft	Mercedes Benz	ML	163 410 07 02	1296,5
D-10203-00	Driveshaft	Mercedes Benz	ML	163 410 08 02	1275,1

Spicer Part Number	Part Description	Make	Model	Material for Reference only	Shaft Length (mm)
D-10057-00	Driveshaft	Suzuki	Samurai	27102-D-80401	732
D-10058-00	Driveshaft	Suzuki	Samurai	27103-D-80401	525
D-10059-00	Driveshaft	Suzuki	Samurai	27102-84C00	714
D-10060-00	Driveshaft	Suzuki	Samurai	27103-84C00	508
D-10061-00	Driveshaft	Suzuki	Samurai	27103-84C10	853
D-10062-00	Driveshaft	Suzuki	Samurai	27101-C-80401	382
D-10063-00	Driveshaft	Suzuki	Samurai	27101-84C00	403
D-10064-00	Driveshaft	Suzuki	Vitara	27101-85C01	680
D-10065-00	Driveshaft	Suzuki	Vitara	27102-B-60A01	896
D-10066-00	Driveshaft	Suzuki	Vitara	27102-60A11	896
D-10067-00	Driveshaft	Suzuki	Samurai	27101-84C00	321
D-10073-00	Driveshaft	Suzuki	Jimny	27102-82A00	773
D-12232-00	Driveshaft	Suzuki	SX4 S-Cross	27100-61M01	2004,3
D-12233-00	Driveshaft	Suzuki	Vitara	27100-54P01	1904,5
D-21730-00	Driveshaft	Suzuki	SX4 S-Cross	27100-61M11	
D-21731-00	Driveshaft	Suzuki	Vitara	27100-54P10	
5020386	Center Bearing	Suzuki	SX4 S-Cross / Vitara		

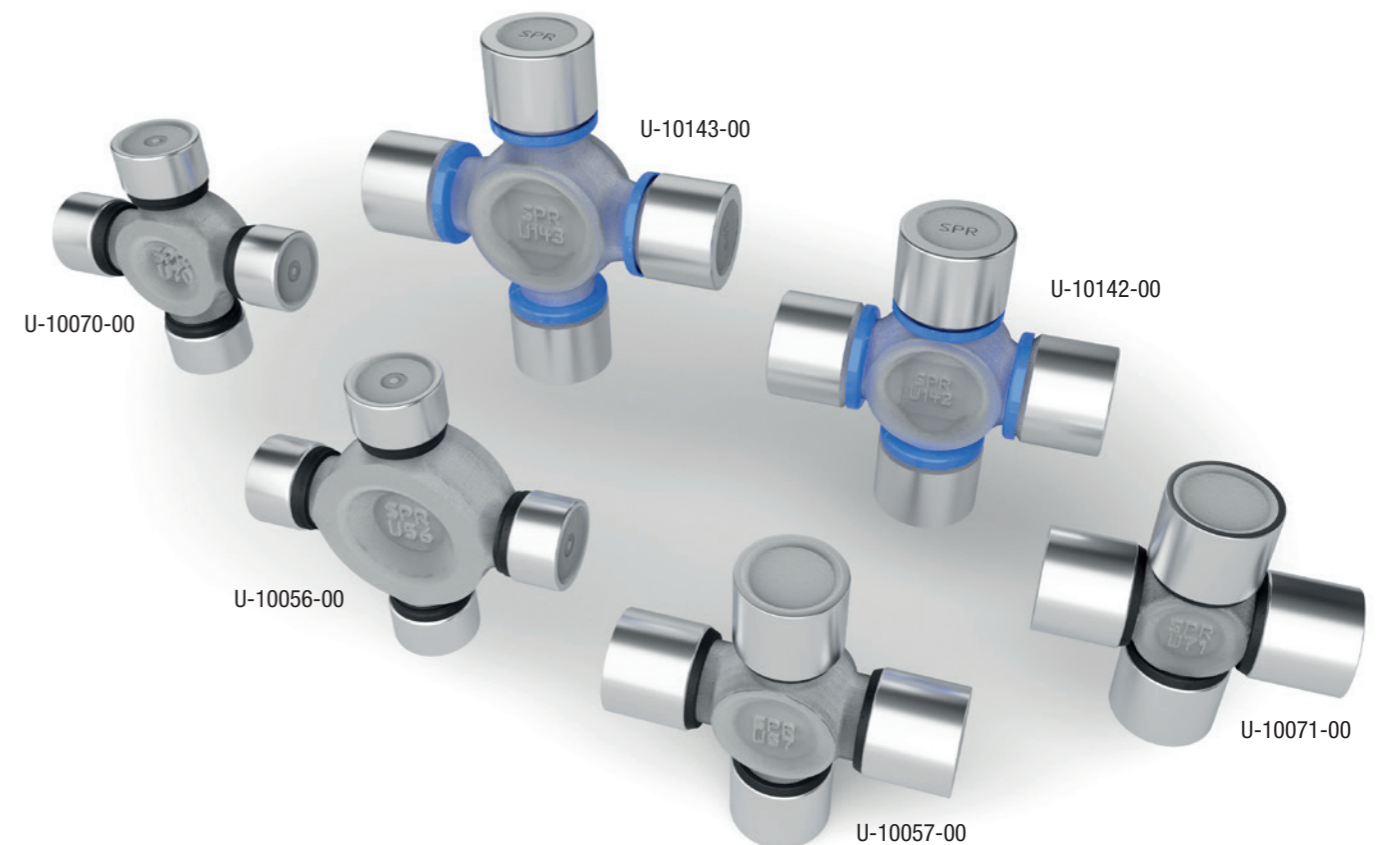
Spicer Part Number	Part Description	Make	Model	Material for Reference only	Shaft Length (mm)
5009875-2	Center Bearing	Iveco	Daily	42561251	
5-1310X	U-Joint	Iveco	Daily	93160322	
5-1410X	U-Joint	Iveco	Daily	93158199	
D-10112-00	Driveshaft	Iveco	Daily	500391653	1885
D-10217-00	Driveshaft	Iveco	Daily	500391639	1965
D-10958-00	Driveshaft	Iveco	Daily	500391612	680
D-11129-00	Driveshaft	Iveco	Daily	99455235	2420
D-11140-00	Driveshaft	Iveco	Daily	500391641	2315
D-11992-00	Driveshaft	Iveco	Daily	99455120	1669
D-11993-00	Driveshaft	Iveco	Daily	99455128	2421
D-11994-00	Driveshaft	Iveco	Daily	99455219	1670
D-11995-00	Driveshaft	Iveco	Daily	99455231	2420
D-11996-00	Driveshaft	Iveco	Daily	5801547112	2580
D-11997-00	Driveshaft	Iveco	Daily	500391644	2490
D-11998-00	Driveshaft	Iveco	Daily	5801547096	2460
D-11999-00	Driveshaft	Iveco	Daily	5801547080	2190
D-12000-00	Driveshaft	Iveco	Daily	504138106	2150
D-12001-00	Driveshaft	Iveco	Daily	5801547091	2150
D-12002-00	Driveshaft	Iveco	Daily	5801547077	2130
D-12003-00	Driveshaft	Iveco	Daily	5801547092	2110
D-12004-00	Driveshaft	Iveco	Daily	5801547083	2090
D-12005-00	Driveshaft	Iveco	Daily	504138105	1835
D-12006-00	Driveshaft	Iveco	Daily	5801547089	1815
D-12007-00	Driveshaft	Iveco	Daily	5801547088	1660
D-12008-00	Driveshaft	Iveco	Daily	5801547079	1540
D-12009-00	Driveshaft	Iveco	Daily	5801547116	891
D-12010-00	Driveshaft	Iveco	Daily	5801547118	730

Spicer Part Number	Part Description	Make	Model	Material for Reference only	Shaft Length (mm)
7687200600160	U-Joint	Renault	Master	37 00 017 13R	
B-10001-00	Center Bearing	Renault	Master	37 52 521 91R	
C-10001-00	Rubber Coupling	Renault	Master	37 00 078 37R	
D-10232-00	Driveshaft	Renault	Master	82 00 987 034	1257
D-10233-00	Driveshaft	Renault	Master	82 00 987 033	2064
D-10234-00	Driveshaft	Renault	Master	82 00 958 092	2672
7687200600160	U-Joint	Opel	Movano	93 168 918	
B-10001-00	Center Bearing	Opel	Movano	93 168 920	
C-10001-00	Rubber Coupling	Opel	Movano	93 168 923	
D-10232-00	Driveshaft	Opel	Movano	93 168 911	1257
D-10233-00	Driveshaft	Opel	Movano	93 168 910	2064
D-10234-00	Driveshaft	Opel	Movano	93 168 906	2672
7687200600160	U-Joint	Nissan	NV400	37000-1713R	
B-10001-00	Center Bearing	Nissan	NV400	37525-2191R	
C-10001-00	Rubber Coupling	Nissan	NV400	37000-7837R	
D-10232-00	Driveshaft	Nissan	NV400	82009-87034	1257
D-10233-00	Driveshaft	Nissan	NV400	82009-87033	2064
D-10234-00	Driveshaft	Nissan	NV400	82009-58092	2672

U-Joints

Responding to customer demand for its high-quality aftermarket parts, Dana extended the product range for all current production and previous Mercedes-Benz Sprinter models to include staked U-Joints. They are produced to original-equipment (OE) standards – with applications in the highly-popular transport vehicle.

Spicer Part Number	Part Description	Retainer Type	U-Joint Type	Span	Bearing Cup Diameter
U-10067-00	U-Joint	Staked	Service Free	56,9 mm	22 mm
U-10068-00	U-Joint	Staked	Service Free	62,5 mm	24 mm
U-10070-00	U-Joint	Staked	Service Free	74,5 mm	24 mm
U-10056-00	U-Joint	Staked	Service Free	88 mm	24 mm
U-10071-00	U-Joint	Staked	Service Free	74 mm	27 mm
U-10138-00	U-Joint	Staked	Service Free	81,9 mm	27 mm
U-10057-00	U-Joint	Staked	Service Free	88 mm	27 mm
U-10143-00	U-Joint	Staked	Service Free	106,2 mm	30 mm
U-10142-00	U-Joint	Staked	Service Free	92 mm	30 mm
U-10069-00	U-Joint	Staked	Service Free	88 mm	31 mm



Spicer Center Bearings For Light Vehicles

Dana extends its product range for Center Bearings to the light vehicle sector. Rubber Couplings which are referred to as Disc Joints in TecDoc are another addition for the light vehicle program. The products are now available in the Spicer Online Catalog with OE-numbers, as well as in TecDoc with OE-numbers and make / model search along with the already existing universal joints and complete driveshaft units for this segment.

Light Vehicle - Disc Joints

Spicer Part Number	Make	OE PN (for reference only)
C-10001-00	Mercedes-Benz	221 411 01 15
C-10118-00	BMW	26 11 7 511 454
C-10120-00	Mercedes-Benz	210 411 02 15
C-10121-00	Mercedes-Benz	210 411 04 15
C-10123-00	BMW	26 11 7 610 061
C-10125-00	Mercedes-Benz	124 411 06 15
C-10126-00	Hyundai	49130-3W000
C-10127-00	BMW	26 11 1 227 410
C-10129-00	Mercedes-Benz	164 410 00 15
C-10134-00	Mercedes-Benz	205 410 18 00
C-10138-00	Mercedes-Benz	202 411 06 15
C-10139-00	Mercedes-Benz	205 411 02 00
C-10141-00	Mercedes-Benz	240 410 01 15
C-10143-00	Mercedes-Benz	246 411 00 15
C-10148-00	Mercedes-Benz	124 411 05 15
C-10150-00	Ford	4393343
C-10153-00	BMW	26 11 7 542 238
C-10155-00	BMW	26 11 1 225 624
C-10161-00	BMW	26 11 7 610 372
C-10162-00	Hyundai	49190-26000
C-10163-00	Mercedes-Benz	205 411 01 00
C-10164-00	VW	1K0 521 307 A
C-10165-00	Mercedes-Benz	205 411 00 00
C-10166-00	Mercedes-Benz	210 411 05 15
C-10167-00	VW	5Q0 521 127

Spicer Part Number	Make	OE PN (for reference only)
C-10168-00	VW	7L0 521 403
C-10169-00	BMW	26 11 7 573 276
C-10170-00	Mercedes-Benz	202 410 00 15
C-10171-00	Mercedes-Benz	124 411 04 15
C-10172-00	Ford	4165078
C-10173-00	BMW	26 11 7 522 027
C-10174-00	Mercedes-Benz	202 410 07 15
C-10175-00	BMW	26 11 7 527 392
C-10176-00	BMW	26 11 1 229 065
C-10177-00	BMW	26 11 7 546 426
C-10180-00	Mercedes-Benz	202 411 03 15
C-10182-00	Mercedes-Benz	129 411 00 15
C-10183-00	BMW	26 11 8 487 178
C-10186-00	Mercedes-Benz	123 411 02 15
C-10188-00	BMW	26 11 7 572 664
C-10190-00	Mercedes-Benz	123 411 00 15
C-10191-00	Mercedes-Benz	210 410 05 15
C-10193-00	BMW	26 11 1 229 360
C-10194-00	Mercedes-Benz	126 411 02 15
C-10195-00	BMW	26 11 7 518 443
C-10204-00	Mercedes-Benz	203 410 00 15
C-10211-00	Toyota	04374-28020
C-10220-00	VW	5Q0 521 307
C-10247-00	VW	7D0 521 127
C-10250-00	Mercedes-Benz	202 410 06 15

Light Vehicle - Disc Joint Kits

Spicer Part Number	Make	OE PN (for reference only)
X-10001-01	Mercedes-Benz	240 410 02 15
X-10001-02	Mercedes-Benz	000 411 08 00
X-10118-00	BMW	26 11 1 209 168
X-10121-00	Mercedes-Benz	170 410 01 15
X-10121-01	Mercedes-Benz	211 410 01 15
X-10124-00	Mercedes-Benz	124 410 02 15
X-10127-00	BMW	26 11 1 227 410
X-10130-00	Mercedes-Benz	211 410 02 15
X-10131-00	Mercedes-Benz	230 410 01 15
X-10132-00	Mercedes-Benz	202 410 08 15
X-10133-01	Mercedes-Benz	170 410 00 15

Spicer Part Number	Make	OE PN (for reference only)
X-10135-01	Mercedes-Benz	124 410 07 15
X-10137-00	Mercedes-Benz	202 410 10 15
X-10139-00	Mercedes-Benz	211 410 04 15
X-10140-00	Mercedes-Benz	210 410 15 15
X-10140-00	Mercedes-Benz	202 410 12 15
X-10141-00	Mercedes-Benz	204 410 02 15
X-10141-00	Mercedes-Benz	201 410 20 15
X-10142-00	Mercedes-Benz	202 410 15 15
X-10148-00	Mercedes-Benz	210 410 11 15
X-10149-00	Mercedes-Benz	203 410 03 15
X-10153-01	BMW	26 11 7 542 238

Light Vehicle - Disc Joint Kits

Spicer Part Number	Make	OE PN (for reference only)
X-10155-00	BMW	26 11 1 204 294
X-10155-01	BMW	26 11 7 503 159
X-10161-00	BMW	26 11 7 610 372
X-10163-00	Mercedes-Benz	205 411 01 00
X-10165-00	Mercedes-Benz	205 411 00 00
X-10166-00	Mercedes-Benz	170 410 02 15
X-10166-00	Mercedes-Benz	170 410 02 15
X-10167-00	VW	1J0 521 127
X-10168-00	Porsche	955 421 010 00
X-10169-00	BMW	26 11 7 512 619
X-10170-00	Mercedes-Benz	202 410 11 15
X-10173-00	BMW	26 11 7 522 027
X-10174-00	Mercedes-Benz	202 410 07 15

Spicer Part Number	Make	OE PN (for reference only)
X-10177-00	BMW	26 11 7 546 426
X-10179-00	Mercedes-Benz	202 410 16 15
X-10181-00	Mercedes-Benz	124 410 09 15
X-10182-00	Mercedes-Benz	129 410 01 15
X-10188-00	BMW	26 11 1 229 754
X-10189-00	Mercedes-Benz	123 410 00 15
X-10193-00	BMW	26 11 1 229 360
X-10194-00	Mercedes-Benz	126 410 04 15
X-10195-00	BMW	26 11 7 518 443
X-10204-00	Mercedes-Benz	140 410 03 15
X-10204-01	Mercedes-Benz	203 410 00 15
X-10211-00	Toyota	04374-28020

Light Vehicle - Mounting, Propshaft

Spicer Part Number	Make	OE PN (for reference only)
B-10031-00	Mitsubishi	MN171429
B-10032-00	Ford	7239265
B-10033-00	Toyota	37230-26020
B-10034-00	Mercedes-Benz	210 410 16 81
B-10035-00	VW	7E0 407 181 A
B-10036-00	VW	7L0 521 102 D
B-10037-00	Ford	1094821
B-10038-00	Mitsubishi	3450A017
B-10039-00	BMW	26 12 1 229 317
B-10040-00	Chevrolet	446073
B-10041-00	BMW	26 12 1 229 726
B-10042-00	Honda	40100-S10-A01
B-10043-00	BMW	26 12 1 226 731
B-10044-00	Ssangyong	3320008000
B-10045-00	Mitsubishi	MB154199
B-10046-00	Mercedes-Benz	202 410 03 81
B-10047-00	Toyota	37230-20130
B-10048-00	Mitsubishi	MR953922
B-10049-00	BMW	26 12 1 229 242
B-10050-00	BMW	26 12 7 501 257
B-10051-00	BMW	26 12 7 521 856
B-10052-00	Land Rover	LR037027
B-10053-00	Mercedes-Benz	201 410 05 81

Spicer Part Number	Make	OE PN (for reference only)
B-10054-00	Mercedes-Benz	202 410 02 81
B-10055-00	Mitsubishi	MR165252
B-10056-00	Ford	6649122
B-10057-00	Fiat	7541164
B-10058-00	Mitsubishi	MR953919
B-10059-00	Mercedes-Benz	601 410 12 10
B-10060-00	Mercedes-Benz	639 410 06 81
B-10061-00	Mercedes-Benz	210 410 12 81
B-10062-00	Mercedes-Benz	639 410 04 81
B-10063-00	BMW	26 12 7 521 855
B-10064-00	BMW	26 12 1 226 723
B-10065-00	Ford	1454605
B-10066-00	Hond	40100-S9A-E01
B-10067-00	Toyota	37230-35130
B-10068-00	Toyota	37230-22190
B-10069-00	Toyota	37230-30152
B-10070-00	Toyota	37230-28010
B-10071-00	Toyota	37230-42010
B-10088-00	Ford	1824066
B-10097-00	Honda	40100-S2H-003
B-10098-00	Subaru	27031-FC001
B-10099-00	BMW	26 12 1 227 997
B-10100-00	Mercedes-Benz	124 410 01 81

Check out more DanaAftermarket.com

Light Vehicle - Mounting, Propshaft

Spicer Part Number	Make	OE PN (for reference only)
B-10101-00	BMW	26 12 7 526 631
B-10102-00	BMW	26 12 8 615 621
B-10103-00	Toyota	37230-12120
B-10104-00	Mercedes-Benz	140 410 07 81
B-10105-00	Mercedes-Benz	124 410 02 81
B-10106-00	Subaru	27111-AG220
B-10107-00	BMW	26 12 7 513 218
B-10108-00	BMW	26 12 2 282 496
B-10109-00	BMW	26 12 1 225 152
B-10110-00	Subaru	27111-SA011
B-10111-00	Toyota	37230-35080
B-10112-00	Mercedes-Benz	170 410 00 81
B-10113-00	BMW	26 12 8 615 622
B-10114-00	BMW	26 10 3 413 996
B-10115-00	Toyota	37230-36061
B-10116-00	Hyundai	49575-2P000
B-10117-00	Hyundai	49300-2E000
B-10119-00	Toyota	37230-19015
B-10120-00	Toyota	37230-26010
B-10121-00	Porsche	955 421 020 15
B-10122-00	Toyota	37230-09090
B-10123-00	DAF	1288235
B-10124-00	DAF	1779697
B-10126-00	Mercedes-Benz	204 41 009 81
B-10127-00	Toyota	37230-35090
B-10128-00	ISUZU	8-97942-877-0
B-10129-00	Toyota	37230-30170
B-10130-00	Toyota	37230-09100
B-10131-00	BMW	26 12 7 599 802
B-10133-00	Mazda	P0302-5310A
B-10134-00	BMW	26 12 7 629 466
B-10135-00	Toyota	37100-87402
B-10136-00	Mercedes-Benz	970 411 00 12

Spicer Part Number	Make	OE PN (for reference only)
B-10137-00	BMW	26 12 3 413 997
B-10138-00	BMW	26 12 7 564 694
B-10139-00	BMW	26 12 7 564 695
B-10140-00	Mitsubishi	MR196669
B-10141-00	Mazda	PH012-5100B
B-10142-00	Toyota	37230-22140
B-10143-00	Toyota	37230-35050
B-10144-00	Toyota	37230-0K011
B-10145-00	Toyota	37230-BZ010
B-10146-00	Toyota	37230-29015
B-10147-00	Toyota	37230-10031
B-10154-00	Mercedes-Benz	123 410 10 81
B-10165-00	BMW	26 12 1 209 532
B-10170-00	Mercedes-Benz	222 410 10 81
B-10173-00	BMW	26 11 7 589 746
B-10177-00	BMW	26 12 1 226 628
B-10178-00	Mercedes-Benz	309 410 01 10
B-10180-00	Mazda	KG032-5109U
B-10181-00	Mazda	KG032-5109U
B-10182-00	Mazda	PH012-5100
B-10184-00	Toyota	37230-35061
B-10185-00	VW	7H3 521 102 A
B-10186-00	VW	7H3 521 102 A
B-10187-00	Hyundai	49575-2B000
B-10188-00	Mercedes-Benz	205 410 04 02
B-10189-00	Alfa Romeo	10179037
B-10190-00	Opel	458014
B-10191-00	Nissan	37521-36G25
B-10192-00	Toyota	37230-39035
B-10193-00	Mitsubishi	MR553202
B-10194-00	Mitsubishi	MB505495
B-10195-00	Toyota	37230-35120
B-10196-00	Toyota	37230-30090
B-10197-00	Toyota	37230-30110

Light Vehicle - Mounting, Propshaft Kits

Spicer Part Number	Make	OE PN (for reference only)
X-10115-00	Land Rover	TOQ100010
X-10116-00	Hyundai	49300-2P100
X-10117-00	Hyundai	49575-2E000
X-10118-00	Nissan	37521-41L25
X-10119-00	Toyota	37230-48010
X-10119-00	Toyota	37230-19015
X-10122-00	Toyota	37100-42080
X-10123-00	AUDI	5N0 521 101 C
X-10124-00	PSA	2801.91

Spicer Part Number	Make	OE PN (for reference only)
X-10125-00	Nissan	37521-5C525
X-10126-00	Mercedes-Benz	639 410 06 81
X-10127-00	Toyota	37230-59015
X-10128-00	Lexus	37230-39095
X-10129-00	Mercedes-Benz	601 410 15 10
X-10130-00	Toyota	37230-39045
X-10131-00	Mercedes-Benz	639 410 04 81
X-10132-00	Mazda	SA512-5300
X-10187-00	Hyundai	49575-2B000
X-10191-00	Nissan	37521-56G25

Check out more DanaAftermarket.com

Dana Aftermarket Group
Dana Investment GmbH
Reinzstrasse 3-7
89233 Neu-Ulm
Germany
SpicerParts.com

SPICER[®]

