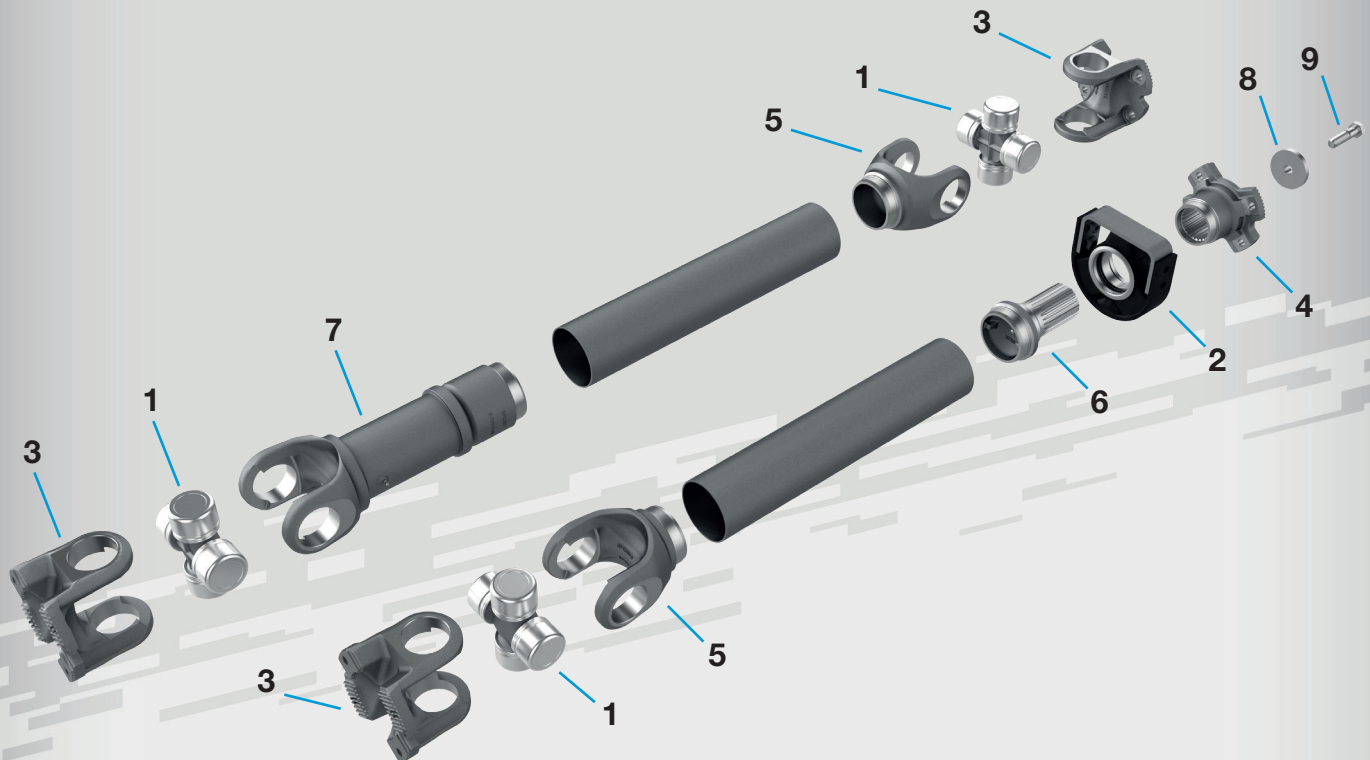


## Commercial Vehicle - Mercedes 385.60-Series

Spicer Part Number	Description	Bearing Cup Ø	Span	Snap Ring Span
1 7385600600240	U-JOINT	68 mm	166 mm	89 mm
1 7385600600160	U-JOINT	68 mm	166 mm	89 mm
Spicer Part Number	Description	Center Bearing Ø	Center Bearing Width	Center Bearing Height
2 B-10029-00	CENTER BEARING ASSEMBLY	70 mm	20 mm	90,5 mm
Spicer Part Number	Description	Retainer Type	Flange	Flange Height
3 E-10004-00	FLANGE YOKE XS	ISR	XS 180	97 mm
4 H-10015-00	COMPANION FLANGE XS		XS 180	101,5 mm
Spicer Part Number	Description	Retainer Type	Length	Suitable for Tube with Outer Ø
5 G-10021-00	TUBE YOKE	ISR	115 mm	110 mm
5 G-10022-00	TUBE YOKE	ISR	115 mm	140 mm
6 M-10033-00	MIDSHIP STUB SHAFT		148 mm	110 mm
6 M-10034-00	MIDSHIP STUB SHAFT		155 mm	140 mm
7 S-10111-00	SLIP JOINT	ISR	378 mm	110 mm
7 S-10112-00	SLIP JOINT	ISR	393 mm	140 mm
8 C-10258-00	WASHER			
9 F-10014-00	BOLT			



### Published by

Dana Investment GmbH  
Reinzstr. 3-7 | 89233 Neu-Ulm | Germany  
SpicerParts.com

### Contact

danaeuropedc@dana.com